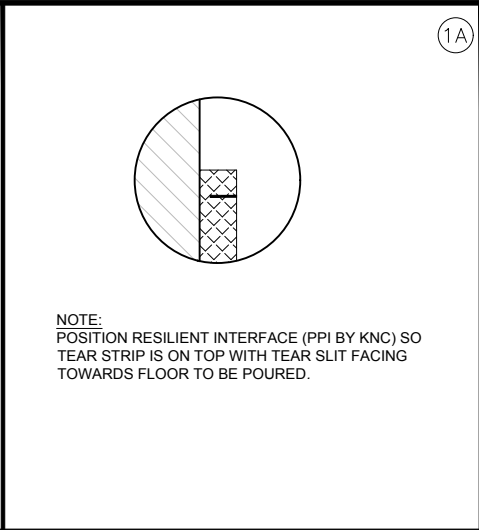


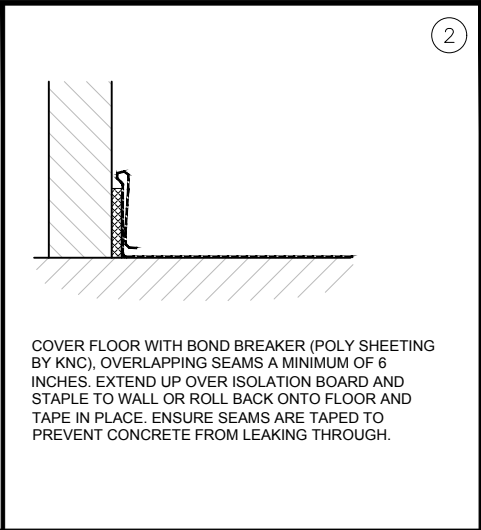
1

STRIKE FLOATING SLAB GRADE AND ADHERE RESILIENT INTERFACE (PPI BY KNC) TO WALL AND ALL PERIMETERS. SEE 1A



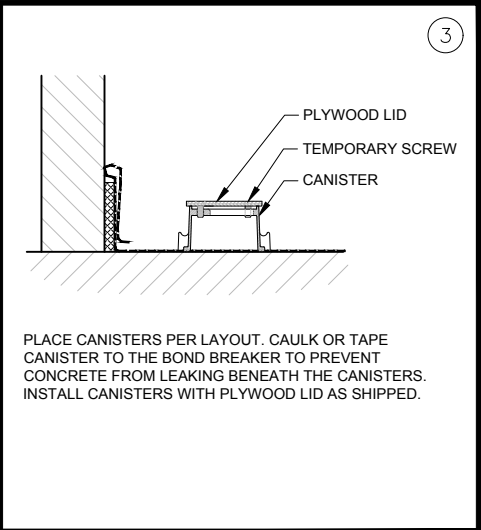
1A

NOTE:
POSITION RESILIENT INTERFACE (PPI BY KNC) SO TEAR STRIP IS ON TOP WITH TEAR SLIT FACING TOWARDS FLOOR TO BE POURED.



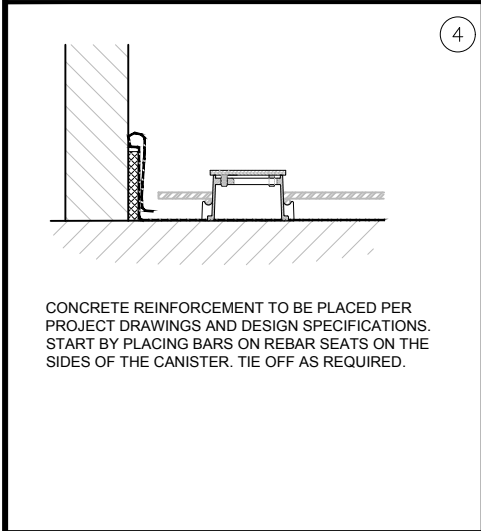
2

COVER FLOOR WITH BOND BREAKER (POLY SHEETING BY KNC), OVERLAPPING SEAMS A MINIMUM OF 6 INCHES. EXTEND UP OVER ISOLATION BOARD AND STAPLE TO WALL OR ROLL BACK ONTO FLOOR AND TAPE IN PLACE. ENSURE SEAMS ARE TAPED TO PREVENT CONCRETE FROM LEAKING THROUGH.



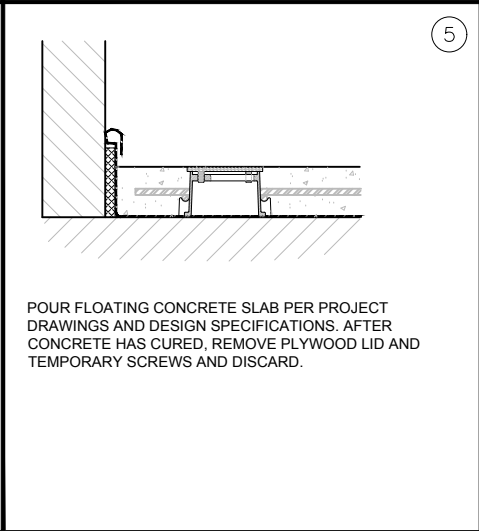
3

PLACE CANISTERS PER LAYOUT. CAULK OR TAPE CANISTER TO THE BOND BREAKER TO PREVENT CONCRETE FROM LEAKING BENEATH THE CANISTERS. INSTALL CANISTERS WITH PLYWOOD LID AS SHIPPED.



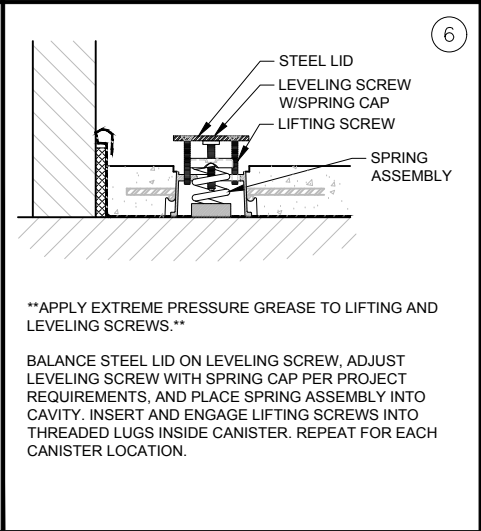
4

CONCRETE REINFORCEMENT TO BE PLACED PER PROJECT DRAWINGS AND DESIGN SPECIFICATIONS. START BY PLACING BARS ON REBAR SEATS ON THE SIDES OF THE CANISTER. TIE OFF AS REQUIRED.



5

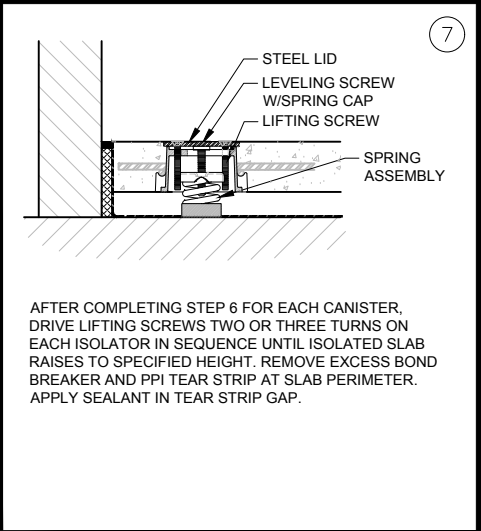
POUR FLOATING CONCRETE SLAB PER PROJECT DRAWINGS AND DESIGN SPECIFICATIONS. AFTER CONCRETE HAS CURED, REMOVE PLYWOOD LID AND TEMPORARY SCREWS AND DISCARD.



6

APPLY EXTREME PRESSURE GREASE TO LIFTING AND LEVELING SCREWS.

BALANCE STEEL LID ON LEVELING SCREW. ADJUST LEVELING SCREW WITH SPRING CAP PER PROJECT REQUIREMENTS, AND PLACE SPRING ASSEMBLY INTO CAVITY. INSERT AND ENGAGE LIFTING SCREWS INTO THREADED LUGS INSIDE CANISTER. REPEAT FOR EACH CANISTER LOCATION.



7

AFTER COMPLETING STEP 6 FOR EACH CANISTER, DRIVE LIFTING SCREWS TWO OR THREE TURNS ON EACH ISOLATOR IN SEQUENCE UNTIL ISOLATED SLAB RAISES TO SPECIFIED HEIGHT. REMOVE EXCESS BOND BREAKER AND PPI TEAR STRIP AT SLAB PERIMETER. APPLY SEALANT IN TEAR STRIP GAP.

STRUCTURAL NOTE:
STRUCTURAL SLAB F- NUMBERS
F_r - FLOOR FLATNESS NUMBER
SPECIFIED OVERALL VALUE = 38
MINIMUM LOCAL VALUE = 25

LIFTING NOTES:
CONCRETE MUST CURE TO DESIGN STRENGTH. AFTER CURING, RAISE SLAB BY CAREFULLY DRIVING LIFTING SCREWS. DRIVE EACH SCREW 2 OR 3 TURNS (MAX) IN SEQUENCE UNTIL DESIGN OPERATING HEIGHT HAS BEEN REACHED. DO NOT DRIVE INDIVIDUAL SCREWS MORE THAN 2 OR 3 TURNS, OR TURN THEM OUT OF SEQUENCE. DOING SO MAY CAUSE DAMAGE TO CONCRETE OR ISOLATOR.
TURNING IN EXCESS OF 2 TO 3 TURNS MUST BE APPROVED BY STRUCTURAL (CONCRETE) ENGINEER.

DIMENSION FORMAT: IN (mm)

SCALE: NTS



LIFTWRX ISOLATED SLAB:
INSTALLATION SEQUENCE

Revised
8/21/17

Drawing No.
AA001961

kineticsnoise.com/liftwrx