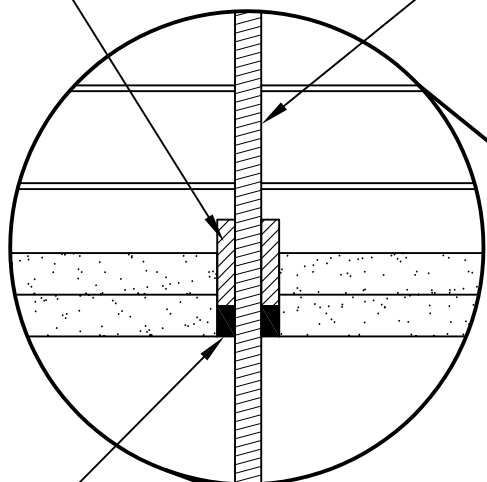


FIBERGLASS BATT,
SPONGE NEOPRENE
OR RUBBER SLEEVE

NO CONTACT HERE (AT COLD ROLLED CHANNEL)

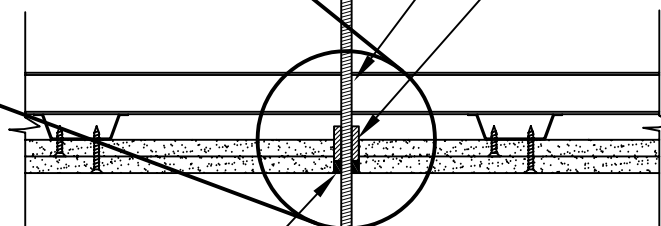


NON-HARDENING,
RESILIENT CAULKING
SEALED AIR-TIGHT

THREADED ROD TO
DECK / STRUCTURE

NO CONTACT HERE
(AT COLD ROLLED CHANNEL)

FIBERGLASS BATT, SPONGE
NEOPRENE OR RUBBER SLEEVE



NON-HARDENING, RESILIENT
CAULKING SEALED AIR-TIGHT

THREADED ROD TO FRAMING
FOR SUPPORT OF DUCT, PIPING,
SUSPENDED EQUIPMENT, ETC.

DIMENSION FORMAT: IN (mm)



TITLE
ISOLATED CEILING
PENETRATION DETAIL

LAST DATE
REVISED
01/26/11

REVISED BY
TJM

DRAWING NO.
AA001875