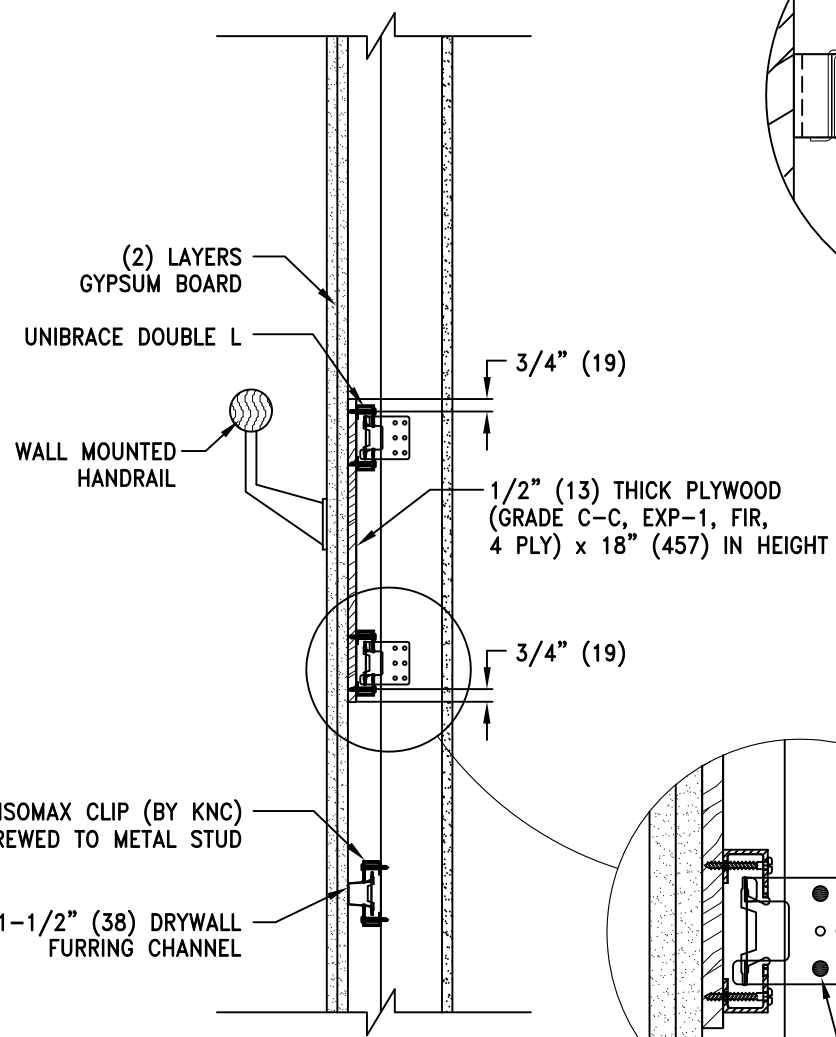


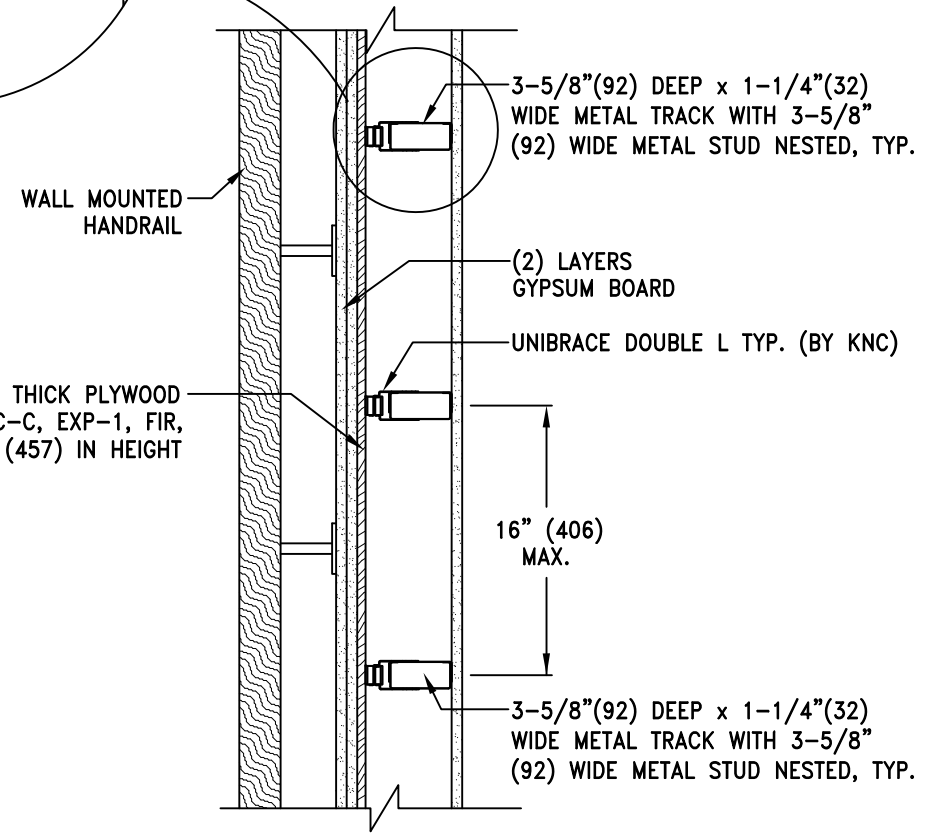
UNIBRACE DOUBLE L TYP.
(BY KNC)

3-5/8"(92) DEEP x 1-1/4"(32)
WIDE METAL TRACK, TYP.

3-5/8"(92) DEEP x 1-3/8"(35)
WIDE METAL STUD NESTED IN
METAL TRACK, TYP.

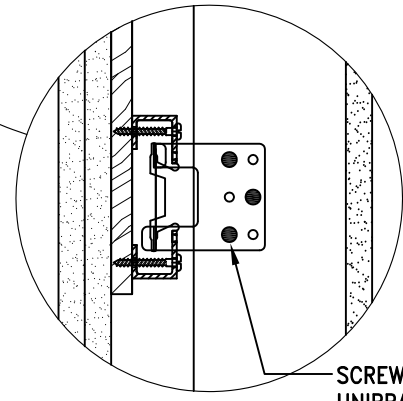


SECTION



PLAN

1/2" (13) THICK PLYWOOD
(GRADE C-C, EXP-1, FIR,
4 PLY) x 18" (457) IN HEIGHT



SCREW LOCATIONS FOR
UNIBRACE BRACKET

DIMENSION FORMAT: IN (mm)

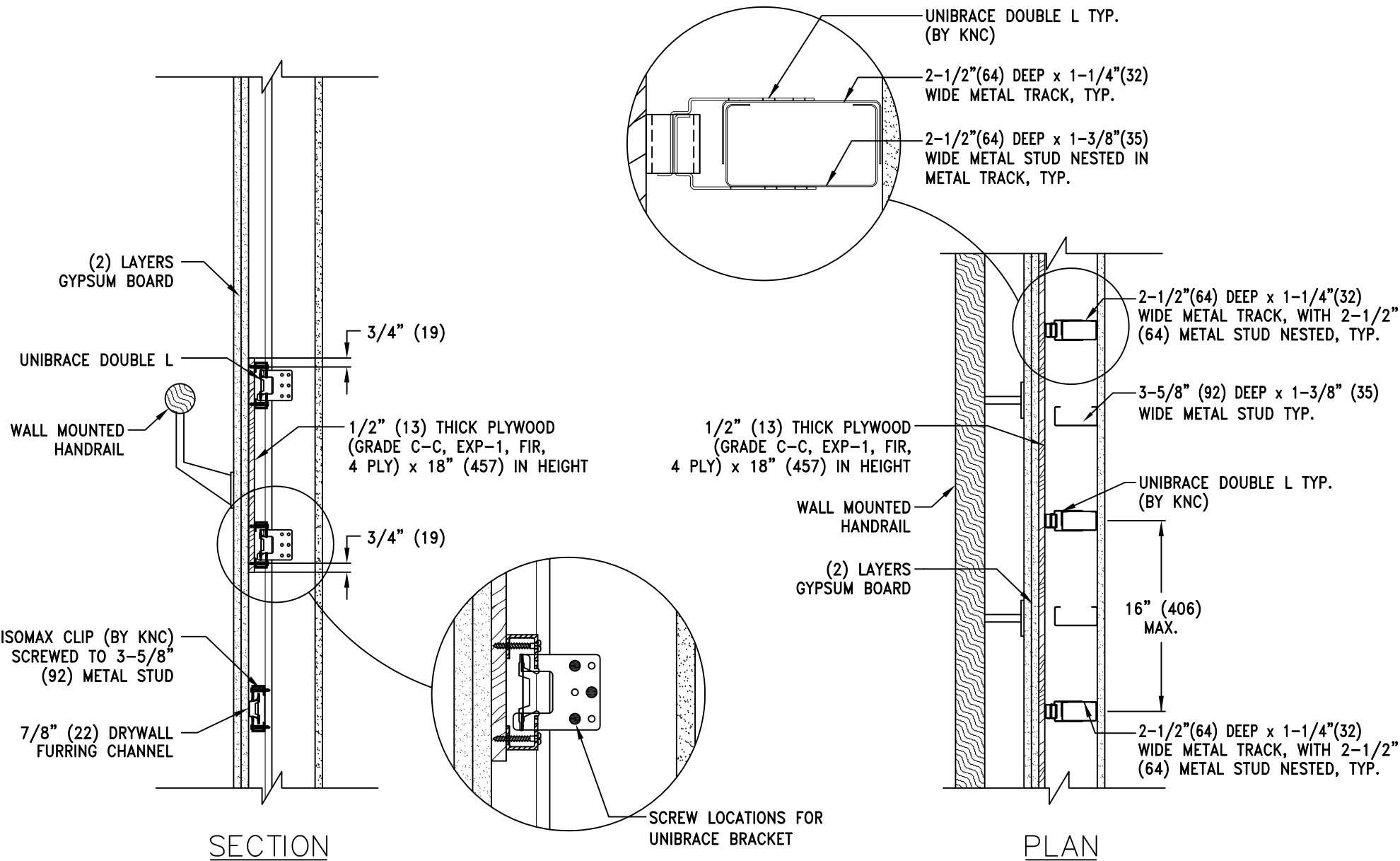


TITLE ISOLATED HANDRAIL ON
ISOMAX WALL W/1-1/2 DRYWALL
FURRING CHANNEL USING UNIBRACE

LAST DATE
REVISED
04/07/11

DRAWN BY
MDV

DRAWING NO. AA
AA001780



DIMENSION FORMAT: IN (mm)



TITLE ISOLATED HANDRAIL ON ISOMAX WALL W/ 7/8 DRYWALL FURRING CHANNEL USING UNIBRACE

LAST DATE REVISED 04/06/11

DRAWN BY MDV

DRAWING NO. AA AA001781

ISOMAX UNIBRACE DOUBLE L

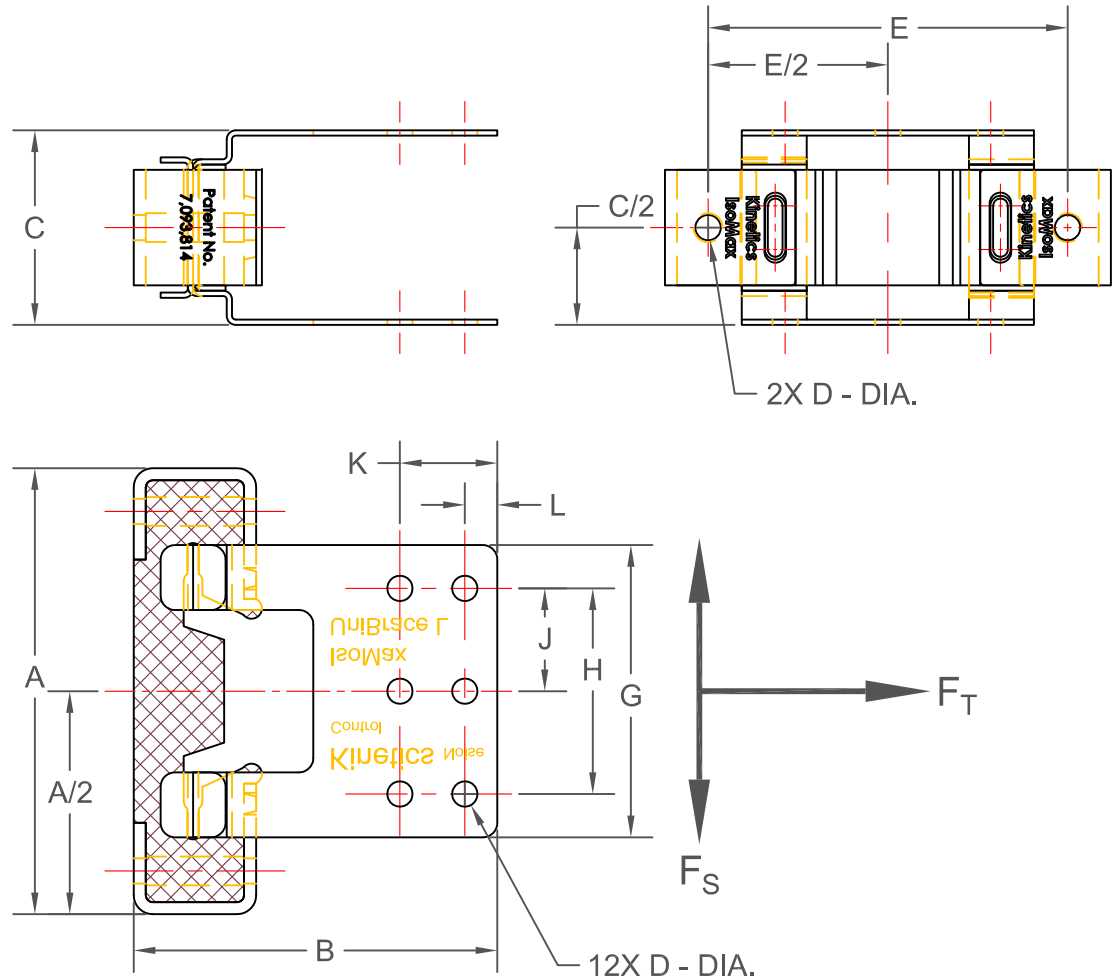
IP UNITS (INCHES AND POUNDS)

A	B	C	D	E	G	H	J	K	L
3.86	3.15	1.68	0.22	3.11	2.53	1.78	0.89	0.84	0.28

ISOMAX UNIBRACE DOUBLE L

MAX. LOADING (LBS)

SHEAR	TENSILE
50.0	100.0



SPECIFICATIONS:

- METAL COMPONENTS ARE PRE-GALVANIZED STEEL.
- ISOLATION ELEMENT IS NEOPRENE.



KINETICS NOISE CONTROL, INC
6300 IRELAN PL,
DUBLIN, OH 43017 USA
Ph: 614 889-0480, Fax: 614 889-0540
www.kineticsnoise.com

Model:
**UNIBRACE
DOUBLE L**

By: BB
Date: 03/18/11
Revised: /

Drawing No:
S-02.07-04

ISOMAX UNIBRACE DOUBLE L

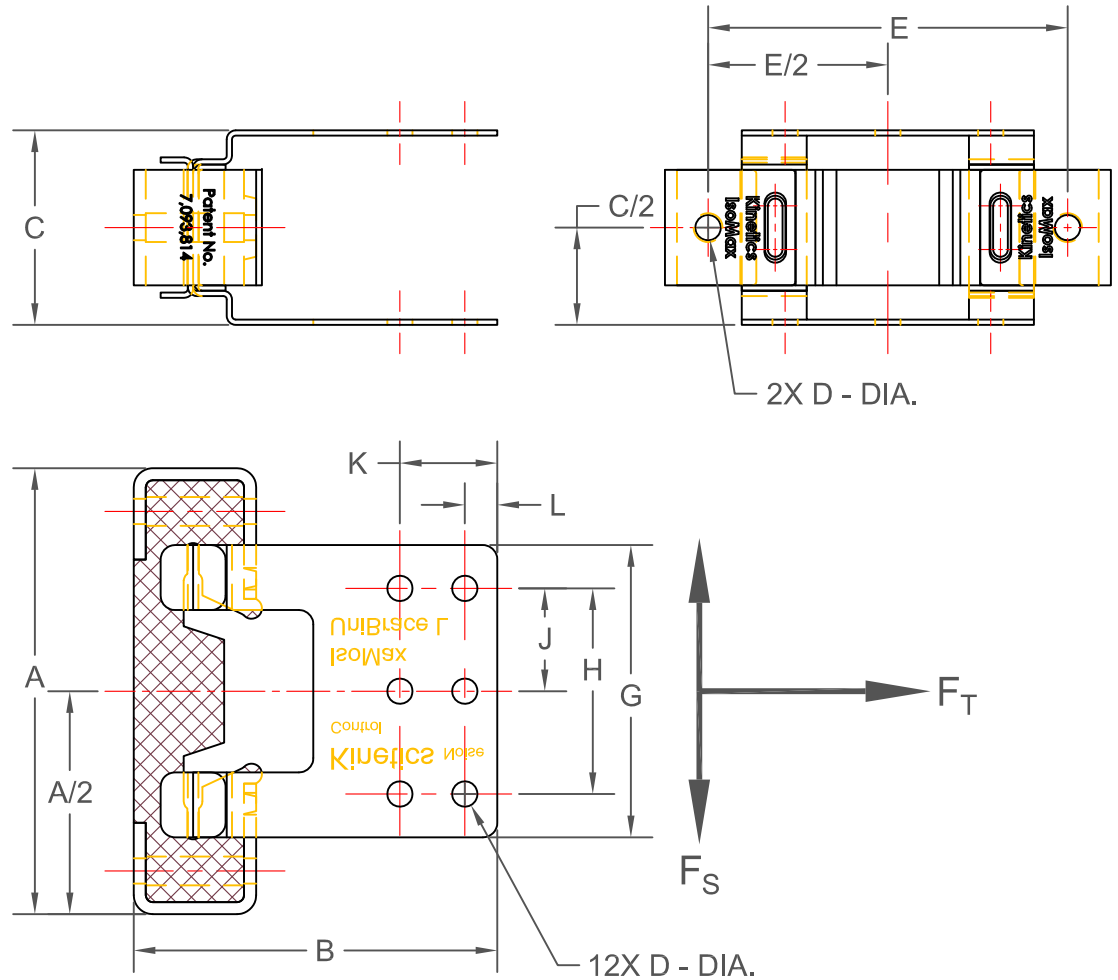
SI UNITS (mm AND kg)

A	B	C	D	E	G	H	J	K	L
98	80	43	6	79	64	45	23	21	7

ISOMAX UNIBRACE DOUBLE L

MAX. LOADING (kg)

SHEAR	TENSILE
22.7	45.4



SPECIFICATIONS:

- METAL COMPONENTS ARE PRE-GALVANIZED STEEL.
- ISOLATION ELEMENT IS NEOPRENE.



KINETICS NOISE CONTROL, INC
 6300 IRELAN PL,
 DUBLIN, OH 43017 USA
 Ph: 614 889-0480, Fax: 614 889-0540
 www.kineticsnoise.com

Model:
**UNIBRACE
 DOUBLE L**

By: BB
 Date: 03/18/11
 Revised: /

Drawing No:
**S-02.07-04
 METRIC**