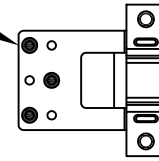


| STUD TYPE | UNIBRACE QUANTITY | UNIBRACE SPACING | PLYWOOD HEIGHT |
|-----------|------------------------|------------------|----------------|
| WOOD | 4 | 12"(305) | 18"(457) |
| 16 ga | 4 | 12"(305) | 18"(457) |
| 18 ga | 4 | 12"(305) | 18"(457) |
| 20 ga | REFER TO DWG# AA001951 | | |
| 25 ga | --- NOT ACCEPTABLE --- | | |

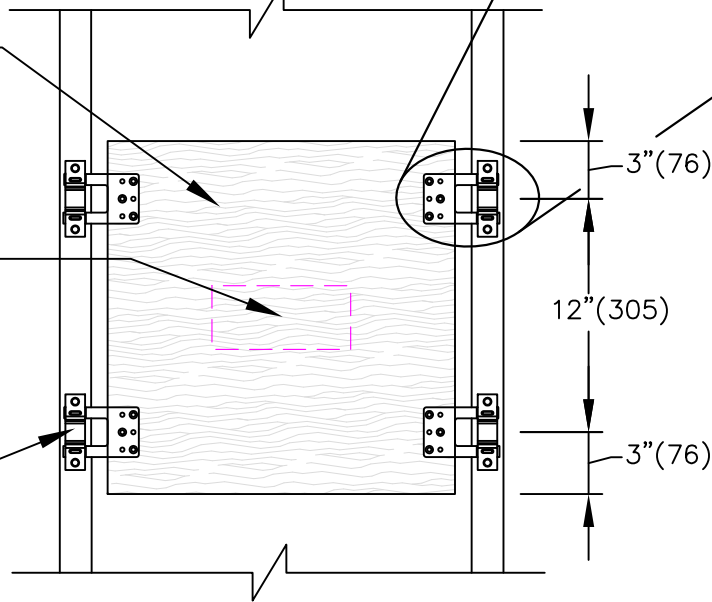
UNIBRACE F
INSTALLED
WITH (3) #10
WOOD SCREWS
@ PLYWOOD
BLOCKING



3/4" (19) PLYWOOD
(GRADE C-C, EXP-1,
FIR, 4 PLY). REFER
TO CHART FOR
REQUIRED HEIGHT.

CENTER TV MOUNTING
BRACKET IN PLYWOOD
BLOCKING

UNIBRACE F INSTALLED
WITH (3) #10 WOOD
SCREWS @ PLYWOOD
AND (2) #10 SCREWS @
STUDS. (TEK WHEN
METAL STUDS & WOOD
WHEN WOOD STUDS.)



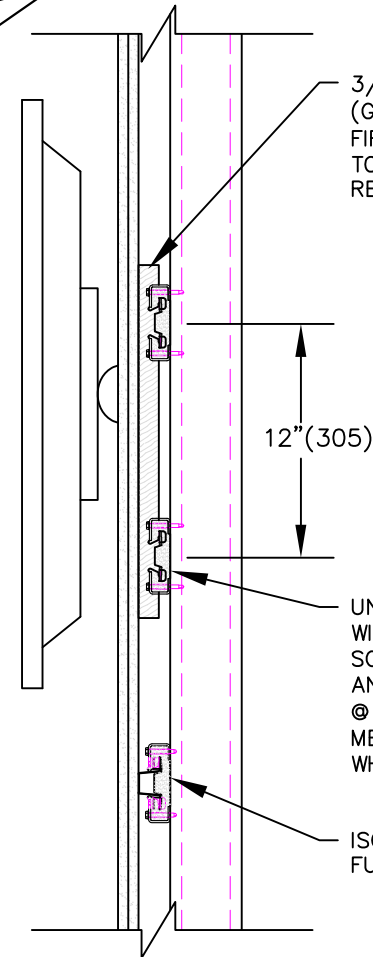
ELEVATION VIEW

NOTE:
TV MOUNTING BRACKET TO BE CENTERED ON
PLYWOOD BLOCKING; MAXIMUM TV WEIGHT IS 140 LBS.
ARTICULATING TV ARM MOUNT CANNOT BE USED.

3/4" (19) PLYWOOD
(GRADE C-C, EXP-1,
FIR, 4 PLY). REFER
TO CHART FOR
REQUIRED HEIGHT.

UNIBRACE F INSTALLED
WITH (3) #10 WOOD
SCREWS @ PLYWOOD
AND (2) #10 SCREWS
@ STUDS. (TEK WHEN
METAL STUDS & WOOD
WHEN WOOD STUDS.)

ISOMAX CLIP WITH
FURRING CHANNEL



SECTION VIEW

DIMENSION FORMAT: IN (mm)



TITLE
TV MOUNT WITH
UNIBRACE F

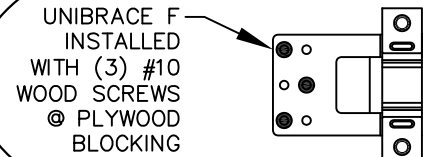
LAST DATE
REVISED
04/08/11

DRAWN BY
TJM

DRAWING NO.
AA001950

AA

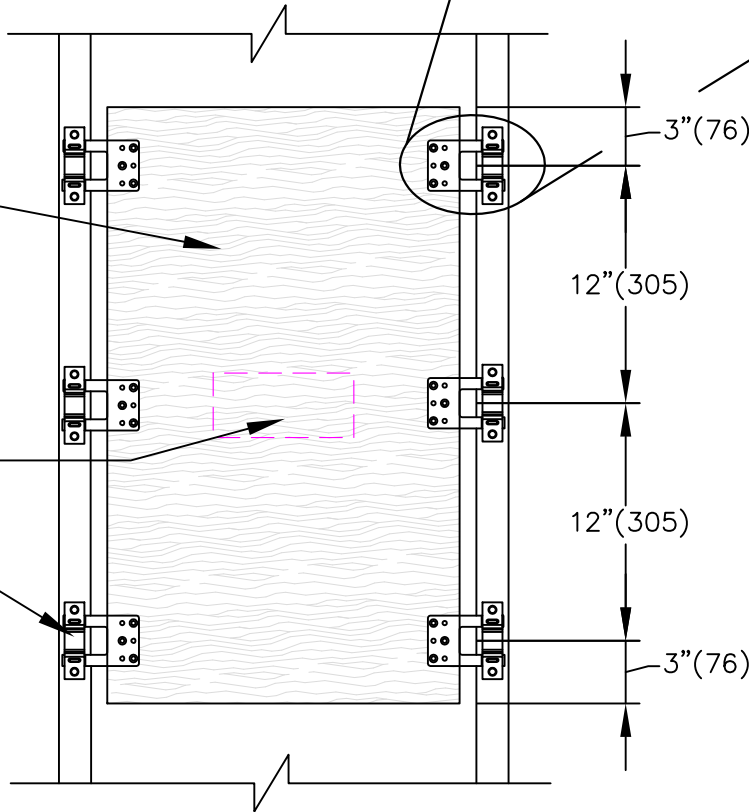
| STUD TYPE | UNIBRACE QUANTITY | UNIBRACE SPACING | PLYWOOD HEIGHT |
|-----------|------------------------|------------------|----------------|
| WOOD | REFER TO DWG# AA001950 | | |
| 16 ga | REFER TO DWG# AA001950 | | |
| 18 ga | REFER TO DWG# AA001950 | | |
| 20 ga | 6 | 12"(305) | 30"(762) |
| 25 ga | --- | NOT ACCEPTABLE | --- |



3/4" (19) PLYWOOD
(GRADE C-C, EXP-1,
FIR, 4 PLY). REFER
TO CHART FOR
REQUIRED HEIGHT.

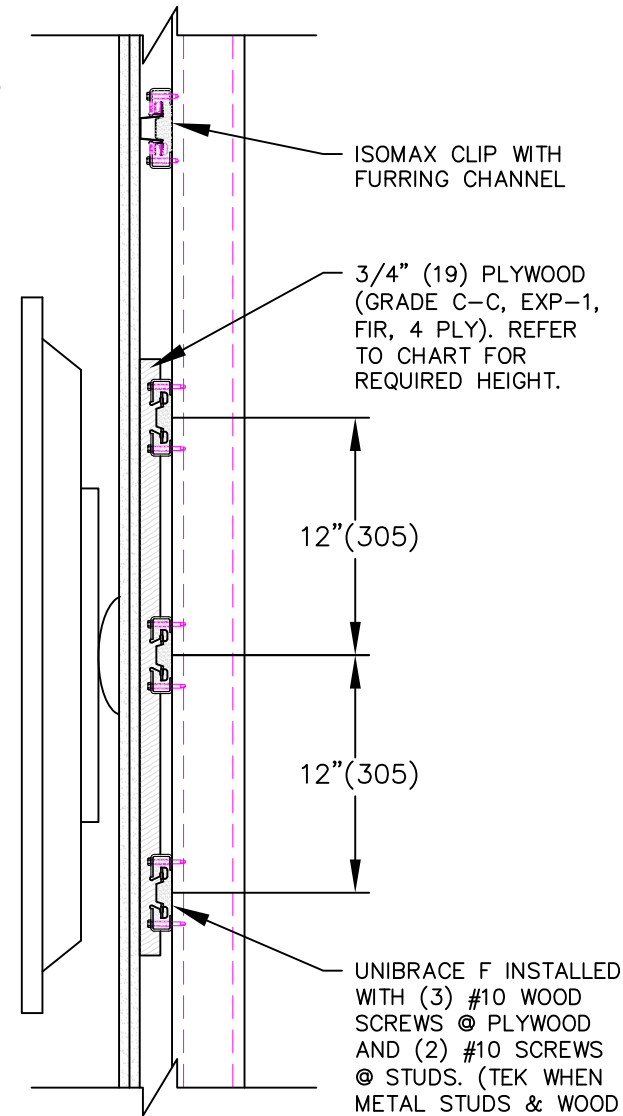
CENTER TV MOUNTING
BRACKET IN PLYWOOD
BLOCKING

UNIBRACE F INSTALLED
WITH (3) #10 WOOD
SCREWS @ PLYWOOD
BLOCKING AND (2) #10 SCREWS @
STUDS. (TEK WHEN
METAL STUDS & WOOD
STUDS.)



ELEVATION VIEW

TV MOUNTING BRACKET TO BE CENTERED ON
PLYWOOD BLOCKING; MAXIMUM TV WEIGHT IS 140 LBS.
ARTICULATING TV ARM MOUNT CANNOT BE USED.



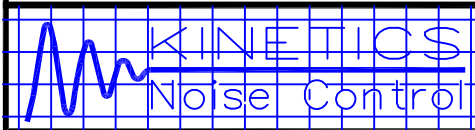
ISOMAX CLIP WITH
FURRING CHANNEL

3/4" (19) PLYWOOD
(GRADE C-C, EXP-1,
FIR, 4 PLY). REFER
TO CHART FOR
REQUIRED HEIGHT.

UNIBRACE F INSTALLED
WITH (3) #10 WOOD
SCREWS @ PLYWOOD
BLOCKING AND (2) #10 SCREWS
@ STUDS. (TEK WHEN
METAL STUDS & WOOD
STUDS.)

SECTION VIEW

DIMENSION FORMAT: IN (mm)



TITLE TV MOUNT WITH
UNIBRACE F ON 20 GA STUD

LAST DATE
REVISED
04/08/11

DRAWN BY
TJM

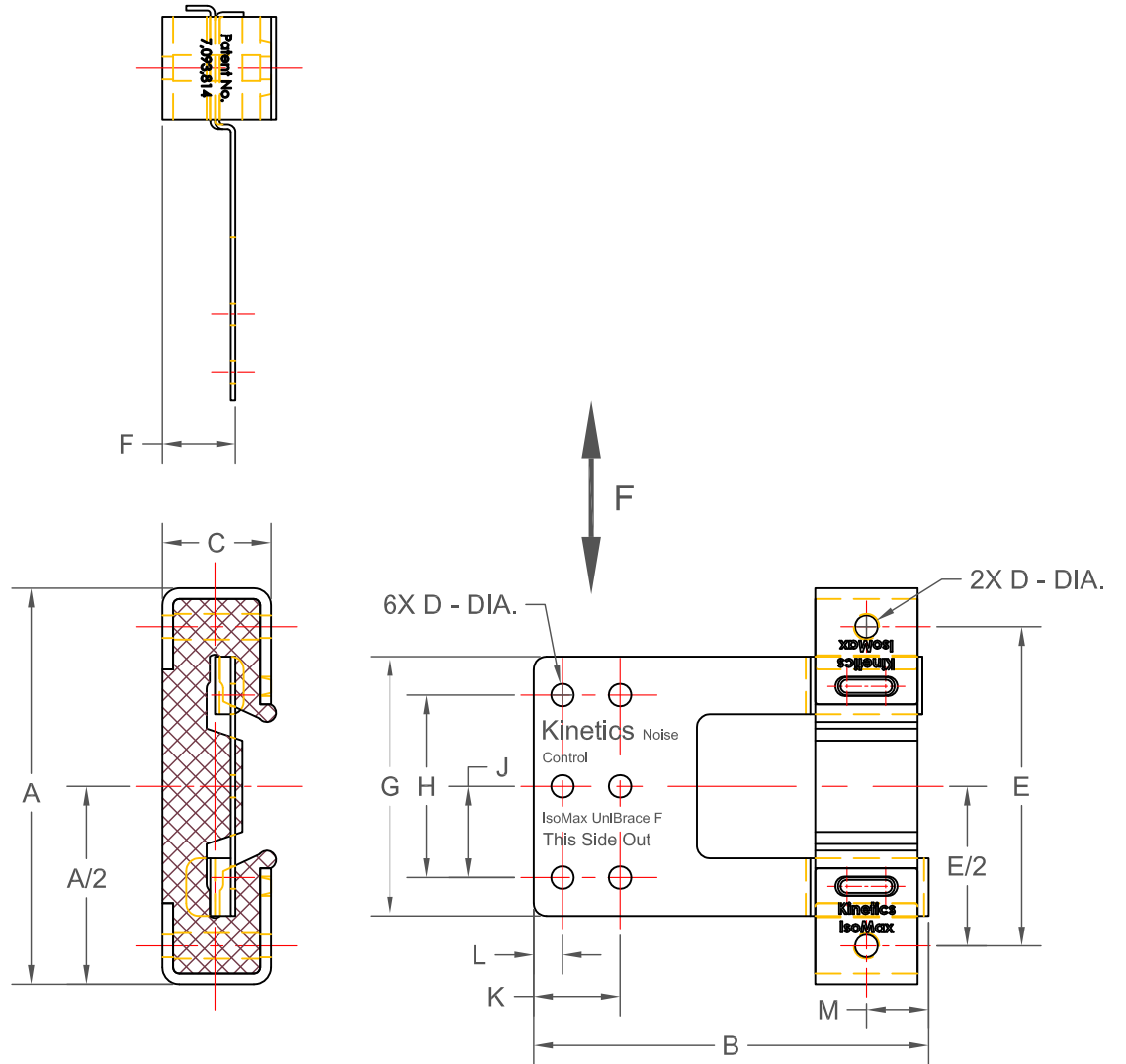
DRAWING NO. AA
AA001951

ISOMAX UNIBRACE F

IP UNITS (INCHES AND POUNDS)

| A | B | C | D | E | F | G | H | J | K | L | M |
|------|------|------|------|------|------|------|------|------|------|------|------|
| 3.86 | 3.86 | 1.06 | 0.22 | 3.11 | 0.71 | 2.53 | 1.78 | 0.89 | 0.84 | 0.28 | 0.61 |

| |
|------------------------------|
| ISOMAX UNIBRACE F |
| MAX. LOADING (LBS) |
| 35.0 |



SPECIFICATIONS:

- METAL COMPONENTS ARE PRE-GALVANIZED STEEL.
- ISOLATION ELEMENT IS NEOPRENE.



KINETICS NOISE CONTROL, INC
6300 IRELAN PL,
DUBLIN, OH 43017 USA
Ph: 614 889-0480, Fax: 614 889-0540
www.kineticsnoise.com

Model:
UNIBRACE F

By: BB
Date: 03/17/11
Revised: /

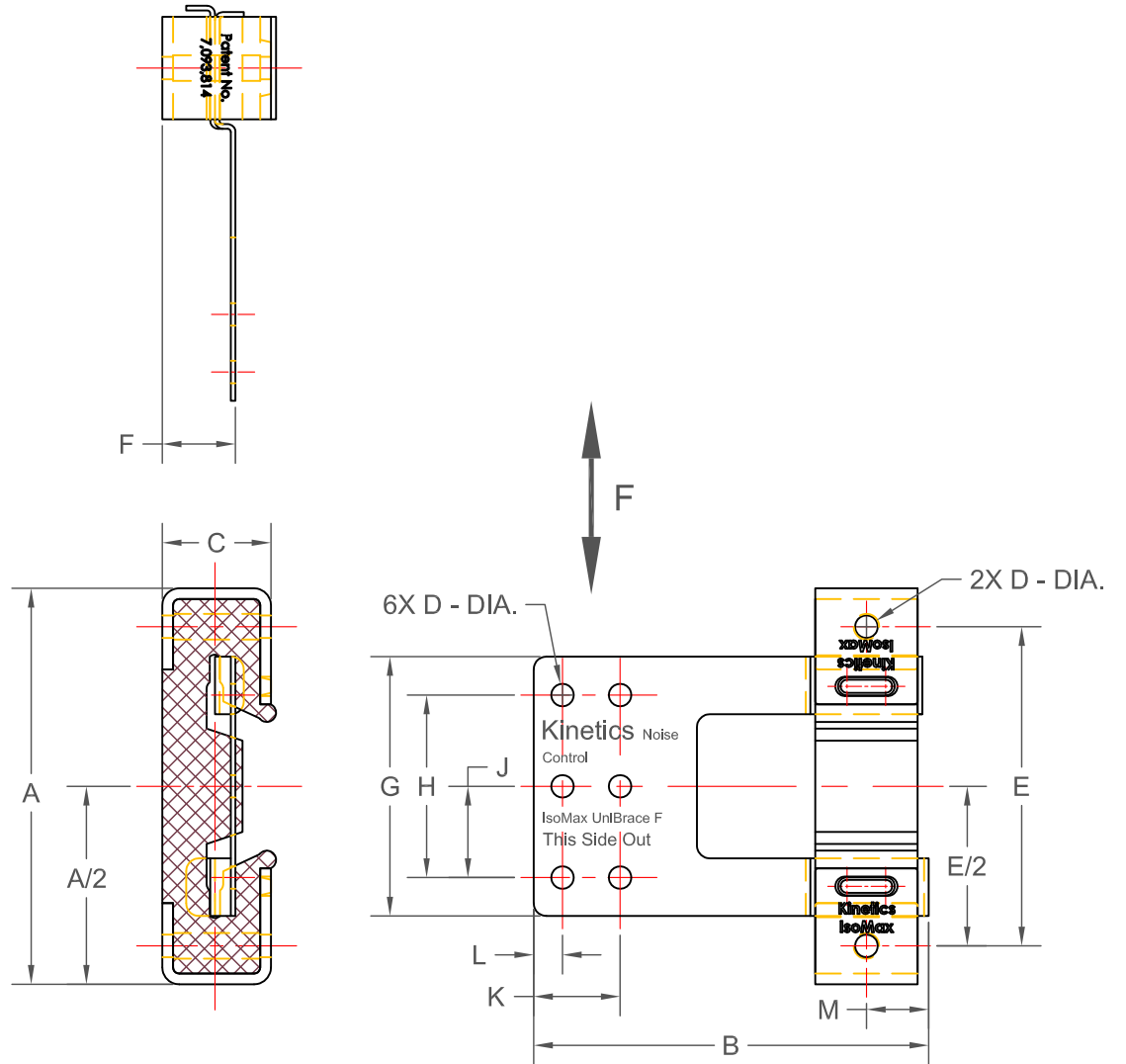
Drawing No:
S-02.07-03

ISOMAX UNIBRACE F

SI UNITS (mm AND kg)

| A | B | C | D | E | F | G | H | J | K | L | M |
|----|----|----|---|----|----|----|----|----|----|---|----|
| 98 | 98 | 27 | 6 | 79 | 18 | 64 | 45 | 23 | 21 | 7 | 15 |

| |
|------------------------------|
| ISOMAX UNIBRACE F |
| MAX. LOADING (kg) |
| 15.9 |



SPECIFICATIONS:

- METAL COMPONENTS ARE PRE-GALVANIZED STEEL.
- ISOLATION ELEMENT IS NEOPRENE.



KINETICS NOISE CONTROL, INC
6300 IRELAN PL,
DUBLIN, OH 43017 USA
Ph: 614 889-0480, Fax: 614 889-0540
www.kineticsnoise.com

Model:
UNIBRACE F

By: BB
Date: 03/17/11
Revised: /

Drawing No:
S-02.07-03
METRIC