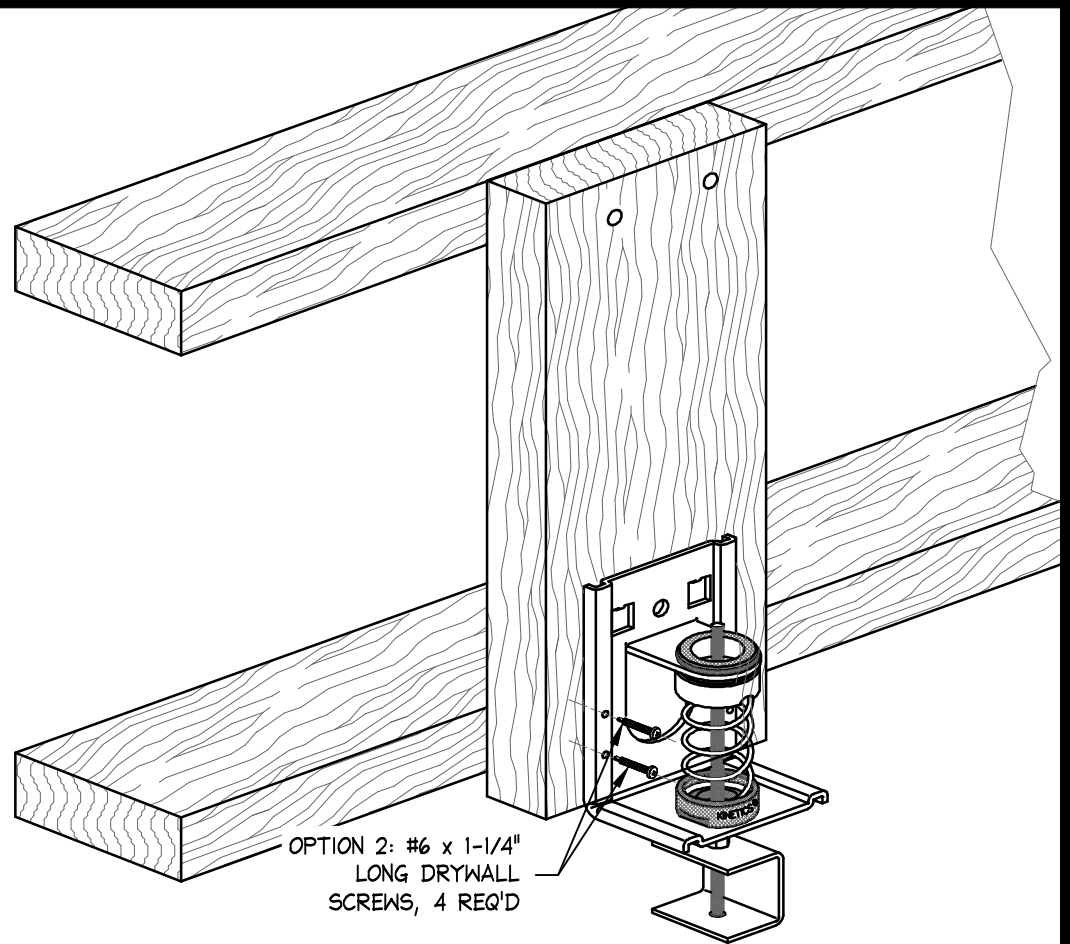


ATTACH NOMINAL 2" x 4" WOOD BLOCKING (OPTION #1)



ATTACH NOMINAL 2" x 6" WOOD BLOCKING (OPTION #2)

NOTE: TRUSS/JOIST MANUFACTURER MUST APPROVE HANGER SPACING AND RESULTING POINT LOADS WITH ICW HANGER-SUPPORTED CEILING ON THE SELECTED TRUSS/JOIST

PER UL DESIGN NO. L581, INSTALLER SHOULD SELECT EITHER OPTION #1 OR OPTION #2 FOR ATTACHMENT OF ICW HANGER.

TRUSS/JOIST DESIGNER: HANGERS ARE TYPICALLY SPACED 48" ON CENTER BOTH WAYS (SEE DRAWING AD-ICW00003)

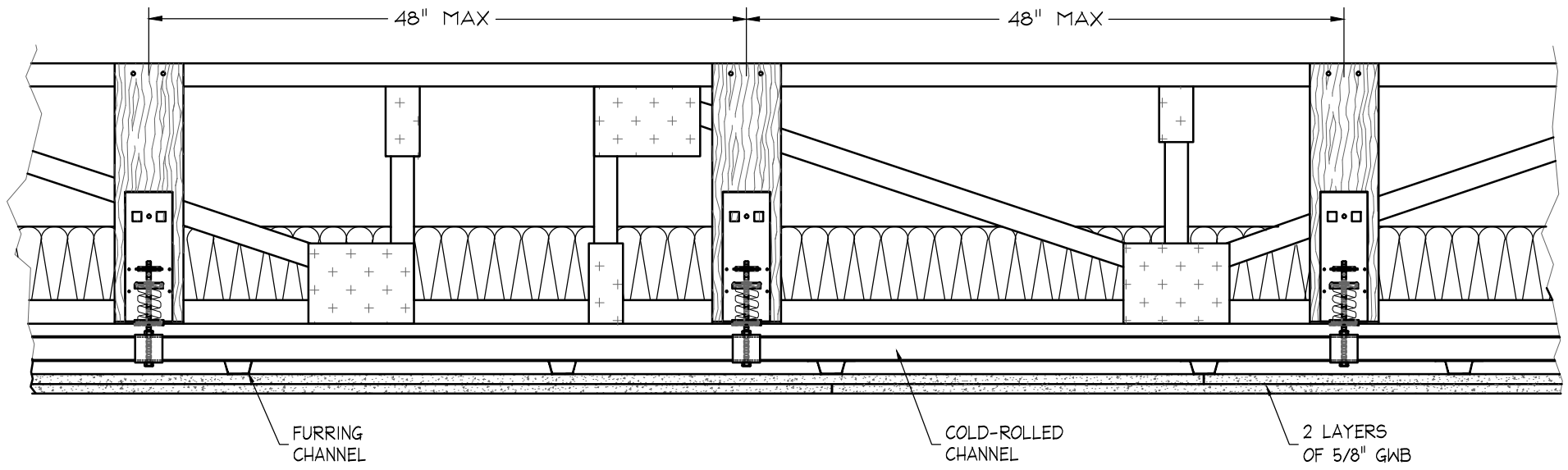


TITLE ICW HANGER ATTACHMENT TO OPEN WEB WOOD TRUSS (TYPICAL)

LAST DATE REVISED 7/10/13

DRAWN BY MDV

DRAWING NO. AD-ICW00002.DWG NOT TO SCALE



NOTE: TRUSS/JOIST MANUFACTURER MUST APPROVE HANGER SPACING AND RESULTING POINT LOADS WITH ICW HANGER-SUPPORTED CEILING ON THE SELECTED TRUSS/JOIST

TRUSS/JOIST DESIGNER: HANGERS ARE TYPICALLY SPACED 48" ON CENTER BOTH WAYS



TITLE ICW HANGER LAYOUT  
IN OPEN WEB  
WOOD TRUSS

LAST DATE  
REVISED  
7/10/13

DRAWN BY  
MDV

DRAWING NO. NOT TO SCALE  
AD-ICW00003.DWG