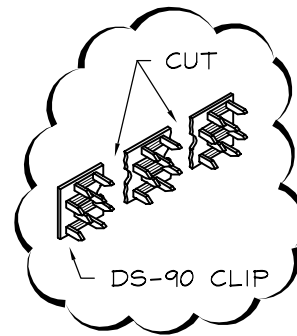
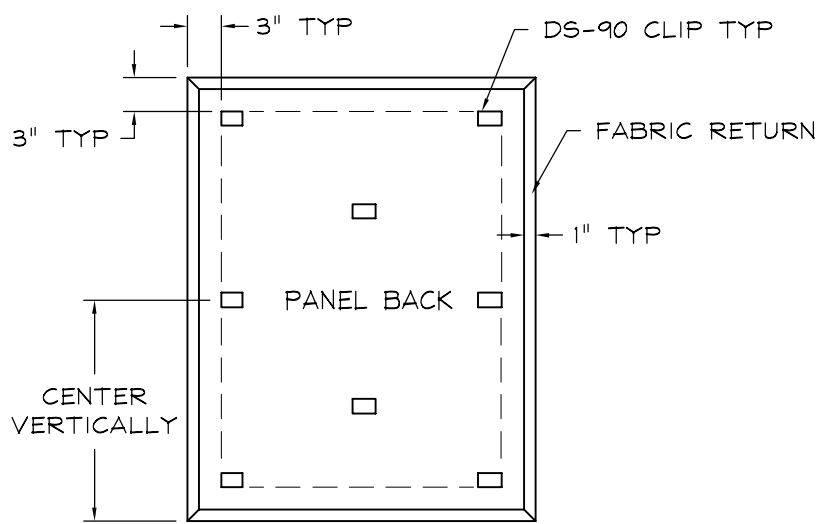
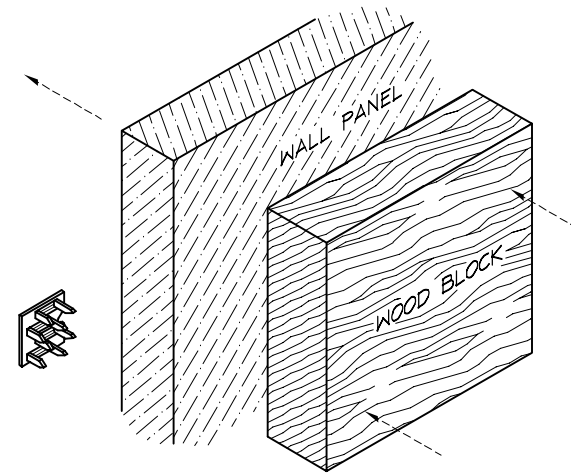


A



C



B

CLIP PLACEMENT IS APPROXIMATE
NOTE: SEE CHART FOR TYP NUMBER OF CLIPS PER PANEL

- DETERMINE WHERE PANELS ARE TO BE INSTALLED.
- CUT DS-90 CLIPS INTO THREE PIECES PER DETAIL
- SCREW DS-90 CLIPS ON WALL PER DETAIL B AND CLIP CHART BELOW.
- CLEAN WALL SURFACE AND APPLY CONSTRUCTION ADHESIVE TO PANEL BACK AS SHOWN IN DETAIL A **(ADHESIVE TO BE APPLIED TO FABRIC RETURN ONLY)**

IMPALE PANELS ONTO CLIPS. A MALLETT AND WOODEN BLOCK MAY BE USED TO CAREFULLY FORCE PANEL DOWN ONTO CLIPS PER DETAIL C.

PANEL LENGTH	# OF CUT CLIPS
UP TO 24"	6
24" TO 48"	9
48" TO 72"	9 - 12
72" TO 96"	12 - 18
96" TO 120"	18