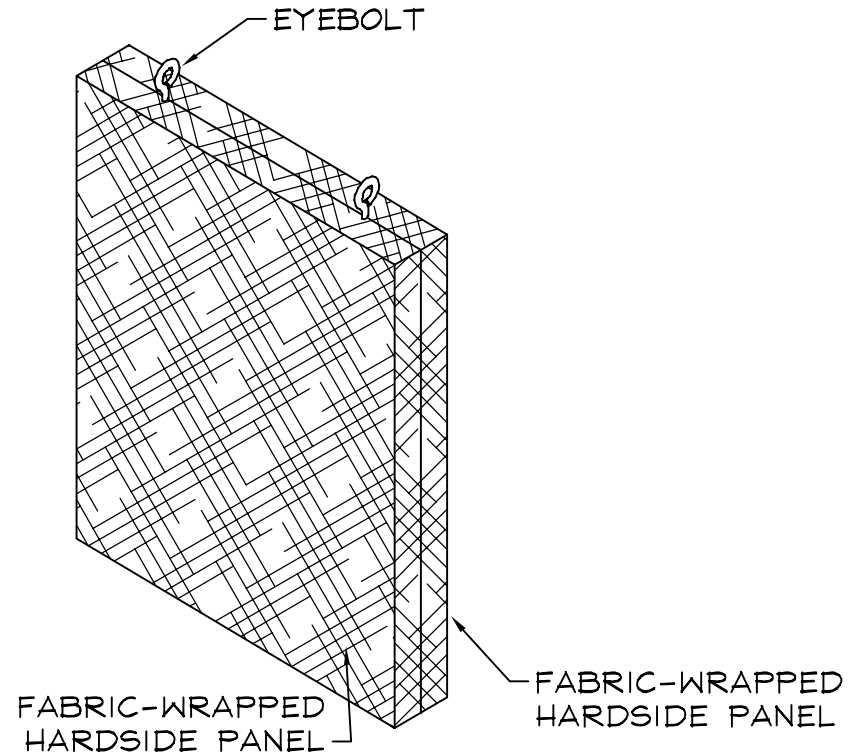
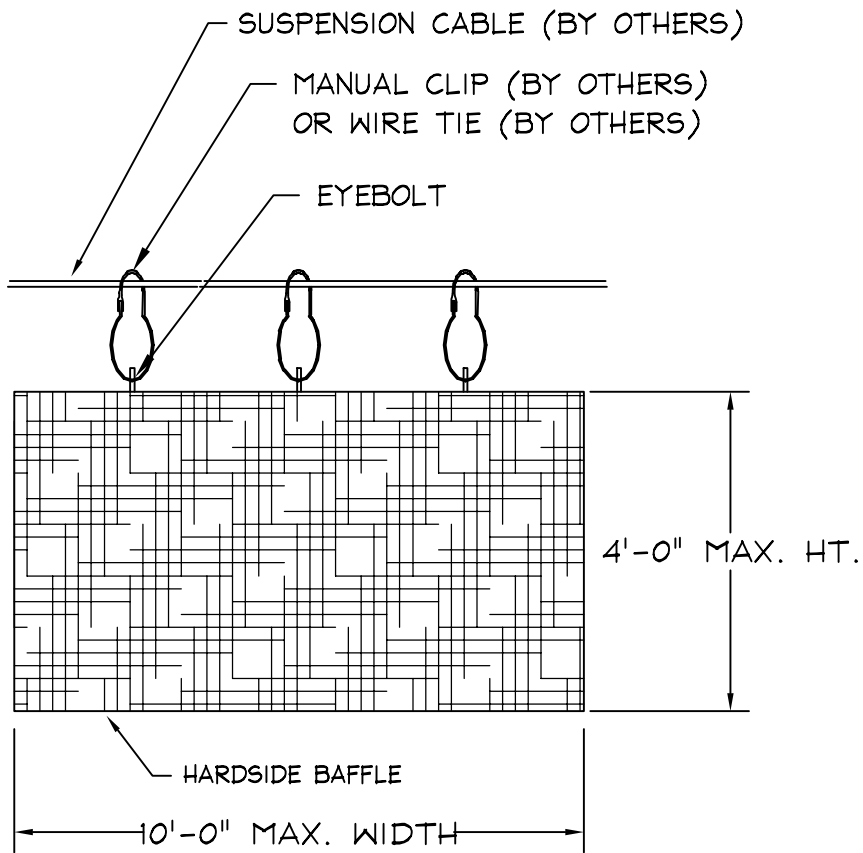


SUGGESTED METHOD OF ATTACHMENT TO STRUCTURE



HARDSIDE BAFFLE DETAIL