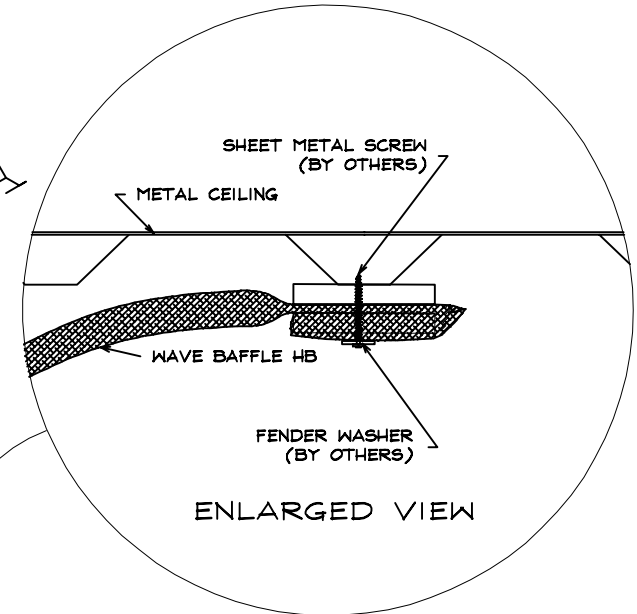


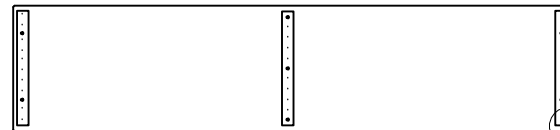
BAFFLE LENGTH (FT.)	MINIMUM DROP (IN.)
10	3
15	6
20	12
25	18
30	24



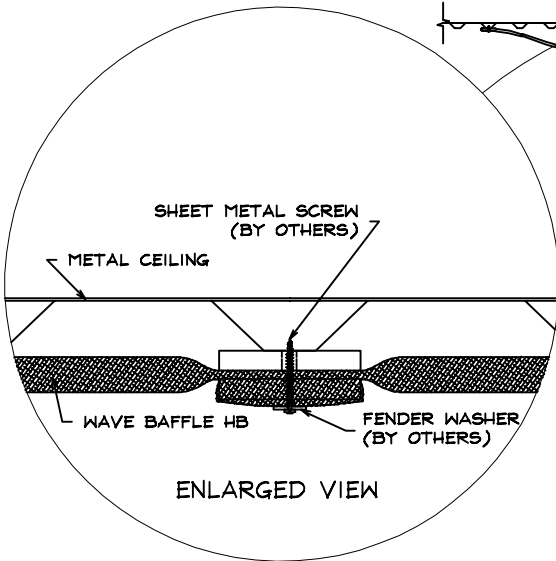
-LOCATE WAVE BAFFLE ACCORDING TO ARCHITECT'S PLANS. ATTACH BAFFLE TO METAL CEILING UTILIZING #10 SELF-TAPPING SHEET METAL SCREWS AND FENDER WASHERS (SUPPLIED BY OTHERS) THROUGH WOOD STRIPS PROVIDED IN BAFFLE.



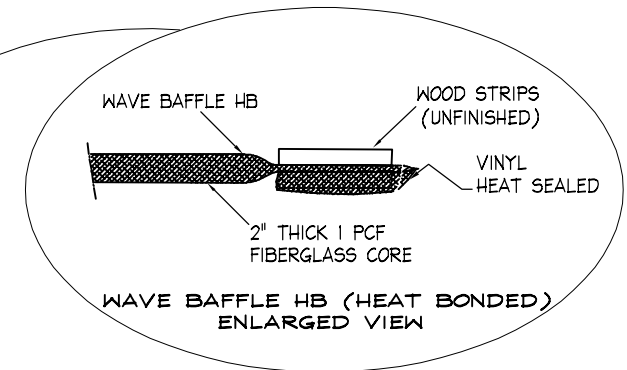
EXAMPLE OF 30' BAFFLE INSTALLATION



WAVE BAFFLE HB, TOP VIEW



ENLARGED VIEW



WAVE BAFFLE HB (HEAT BONDED)
ENLARGED VIEW