

Sereno: Acoustical wood panel system

Installation Guidelines

1. Screw in supplied z-clips to the back of the Sereno board. (Figure 1)
 - a. Place clips so that screws avoid the holes in Sereno
 - b. Clips should be placed within 6 inches of the edges
 - c. Install recommend number of clips per the following:
 - Sizes up to 4x4 - 4-clips
 - Sizes up to 4x8 - 6-clips
 - Sizes up to 4x10 - 9 clips

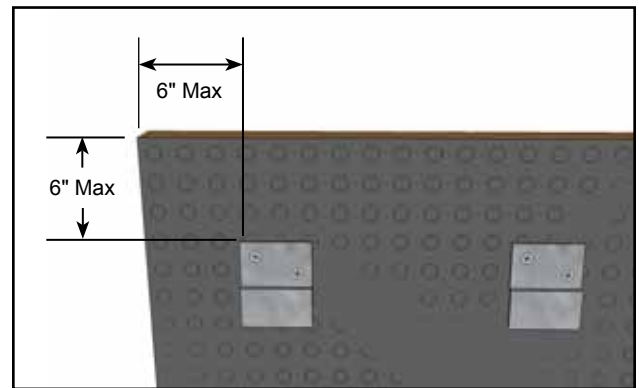


Figure 1

2. Measure the location of the z-clip resting points (Figure 2)

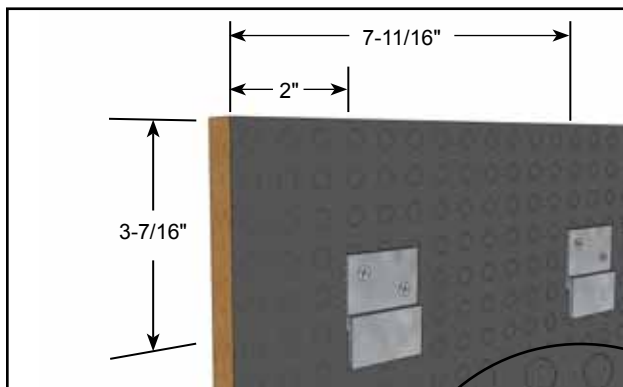


Figure 2

3. Transfer measurement to installation area (Figure 3)

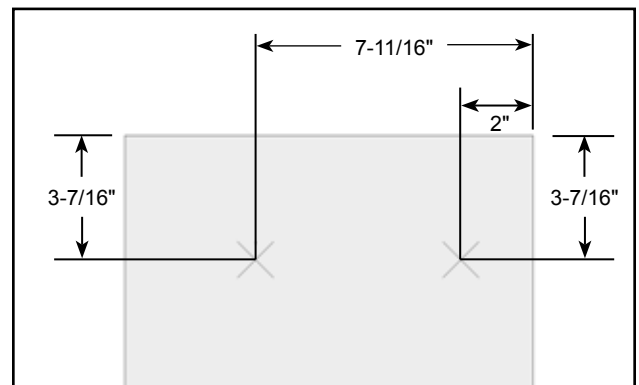
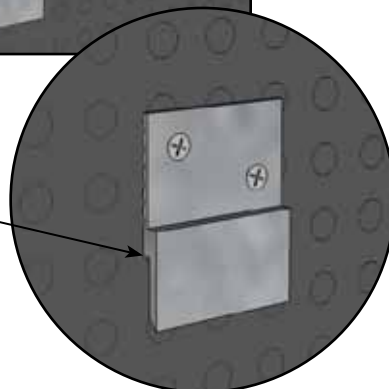


Figure 3

Z-Clip Resting Point



4. Install blocking and z-clips to match up with the ones on the board (Figure 4)

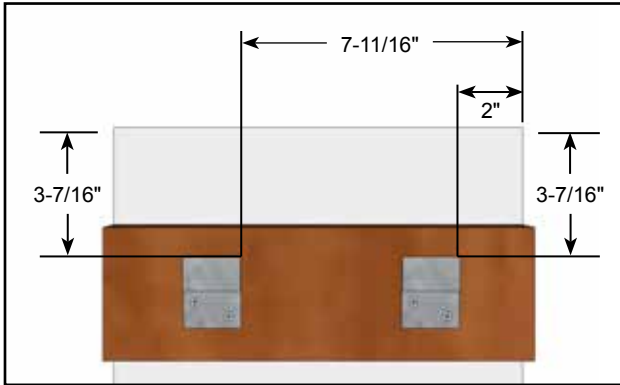


Figure 4

5. Install fiberglass in between blocking (Figure 5)

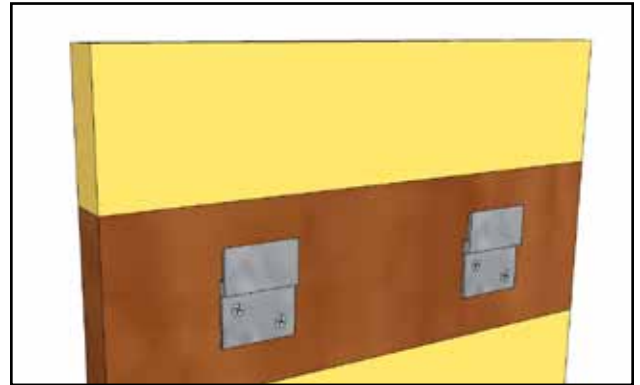


Figure 5

6. Hang the Sereno (Figure 6 and 7)

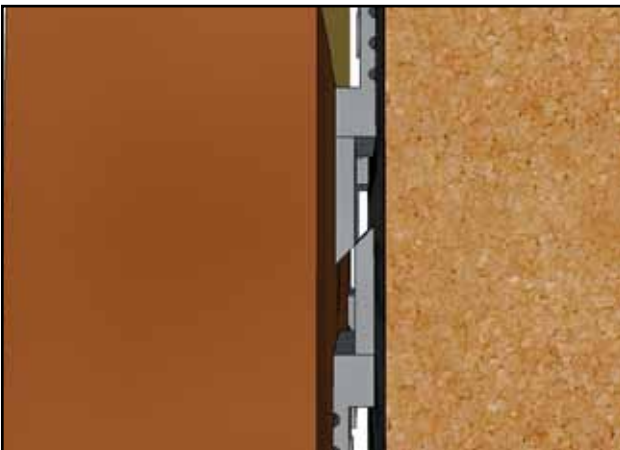


Figure 6

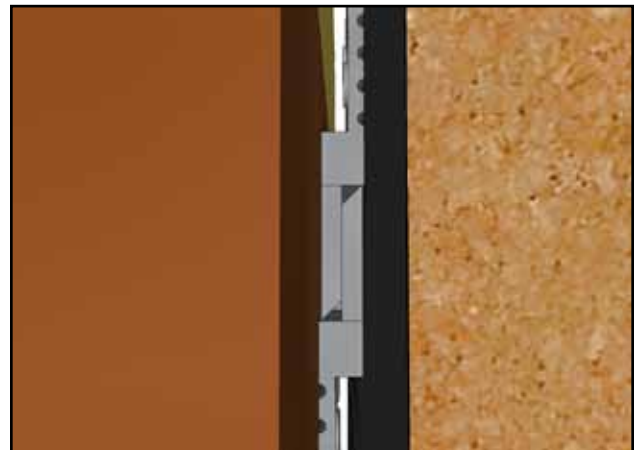


Figure 7

7. Trim as desired (Figure 8)

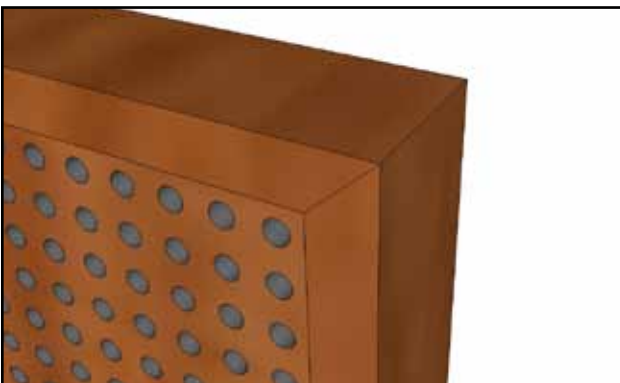


Figure 8

Note: If boards are butted next to each other, leave 1/16" between the planks at the butt joint.

Storage

SERENO BOARDS SHALL BE STORED, INSTALLED AND MAINTAINED IN AN ENVIRONMENT WHERE THE HUMIDITY RANGES FROM 35% TO 55% AND THE TEMPERATURE DOES NOT EXCEED 80°F.

Pre Installation

SERENO BOARDS MUST BE ALLOWED TO STABILIZE ON SITE FOR 72 HOURS PRIOR TO INSTALLATION.

Installation Tips

- Sereno should be installed by qualified finish carpenters
- Use a sharp, thin-kerf, 80 tooth 10" diameter, alternating bevel (40 degree), carbide blade
- board should be cut face up to avoid scratching of the wood finish
- Best site equipment is a large diameter chop saw or radial saw
- Traditional table saw needs to be run much slower to avoid tear-out or chipping
- Use a spiral-down carbide flute cutting bit for cut outs

Acoustic Performance

Use 3 pcf fiberglass behind Sereno Boards to achieve acoustical performance similar to laboratory test results.

Insulation and Wood Furring Visibility

The back of the plank is laminated with an acoustically transparent black scrim, which hides any potential insulation or wood furring color read through. Avoid using any shiny metal hardware or other highly light reflective material behind the perforated planking as this can be noticeable in some light conditions.

Warranty

Sereno has the same warranty period as other Kinetics products. Close attention must be paid to acclimatization, and to finished room conditions. Wood products are highly susceptible to changes in humidity and temperature. Where a schedule dictates that the product is installed prior to the establishment of temperature and humidity controls at the site, the warranty will be void.

When the Class A Fire Rating is specified we recommend that "no added urea formaldehyde" be excluded from this wood product's specification. This combination has been found to cause minor discoloration with some wood veneers and will void the product warranty.