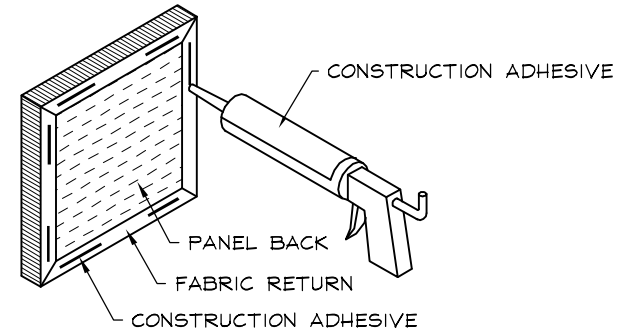


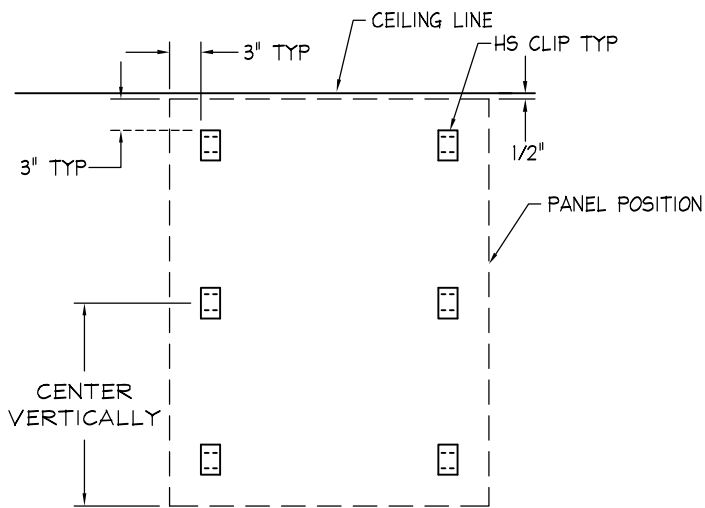
A

CONSTRUCTION ADHESIVE OPTIONAL



C

(ADHESIVE TO BE APPLIED TO FABRIC RETURN ONLY)



B

- DETERMINE WHERE PANELS ARE TO BE INSTALLED (ALLOW 1/2" GAP BETWEEN PANEL AND CEILING.)
- SCREW HS CLIPS INTO PLACE ON WALL PER DETAIL B AND CLIP CHART BELOW
- CLEAN WALL SURFACE AND APPLY CONSTRUCTION ADHESIVE TO PANEL BACK AS SHOWN IN DETAIL C
(ADHESIVE TO BE APPLIED TO FABRIC RETURN ONLY)
- POSITION PANEL APPROXIMATELY 1/2" HIGHER THAN DESIRED PANEL RESTING POSITION AND IMPALE PANEL ONTO CLIPS WITH A DOWNWARD MOTION.

PANEL LENGTH	# OF CLIPS
UP TO 60"	4
61" TO 120"	6

CLIP PLACEMENT IS APPROXIMATE
NOTE: SEE CHART FOR TYP NUMBER OF CLIPS PER PANEL

NOTE: IMPALING PRONGS MAY BE BENT FURTHER TO ELIMINATE 1/2" GAP
(CONSTRUCTION ADHESIVE MUST BE USED WHEN PRONGS ARE ADJUSTED)



TITLE
PANEL INSTALLATION
UTILIZING HS CLIP MOUNTING

LAST DATE
REVISED
6/30/14

DRAWN BY
JAA

DRAWING NO.
INSTAL02

T-DWG