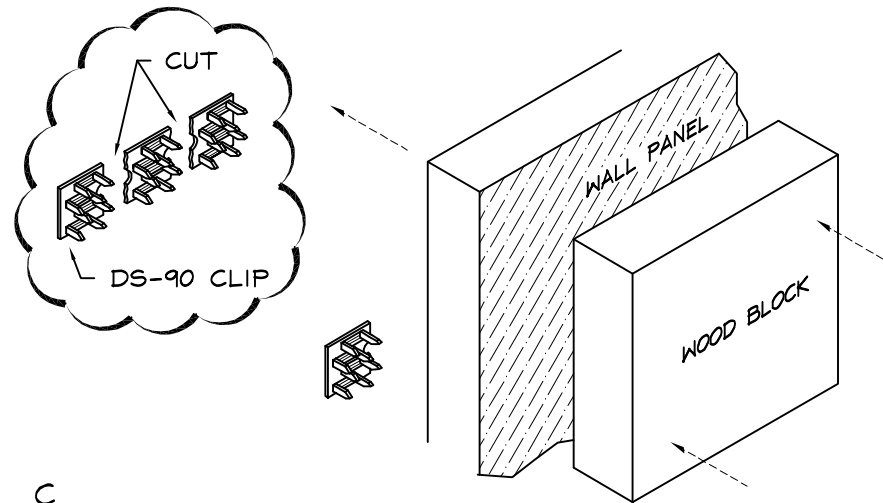
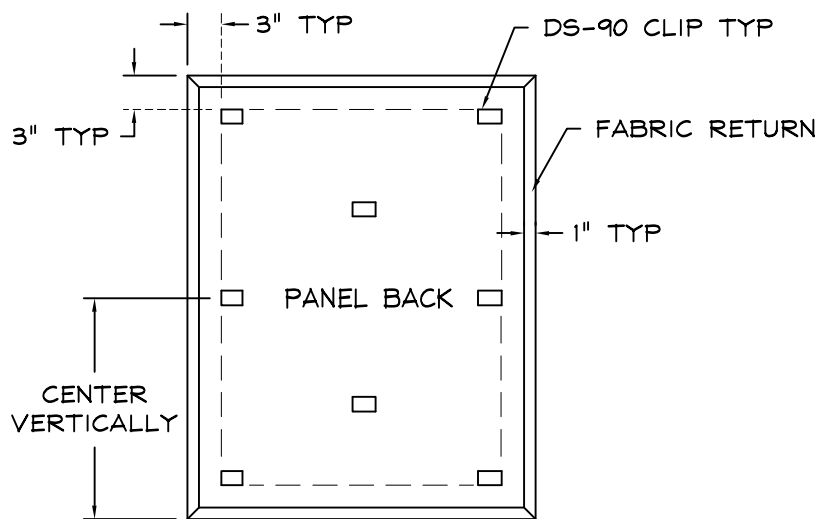


A



C



B

- DETERMINE WHERE PANELS ARE TO BE INSTALLED.
- CUT DS-90 CLIPS INTO THREE PIECES PER DETAIL
- SCREW DS-90 CLIPS ON WALL PER DETAIL B AND CLIP CHART BELOW.
- CLEAN WALL SURFACE AND APPLY CONSTRUCTION ADHESIVE TO PANEL BACK AS SHOWN IN DETAIL A (**ADHESIVE TO BE APPLIED TO FABRIC RETURN ONLY**)

IMPALE DS-90 PANELS ONTO CLIPS. A MALLET AND WOODEN BLOCK MAY BE USED TO CAREFULLY FORCE PANEL DOWN ONTO CLIPS PER DETAIL C.

CLIP PLACEMENT IS APPROXIMATE
NOTE: SEE CHART FOR TYP NUMBER OF CLIPS PER PANEL

PANEL LENGTH	# OF CUT CLIPS
UP TO 24"	6
24" TO 48"	9
48" TO 72"	9 - 12
72" TO 96"	12 - 18
96" TO 120"	18



TITLE
HI-TACK PANELS
W/ CONST. ADHESIVE
INSTALLATION INSTRUCTIONS

LAST DATE
REVISED
4/23/09

DRAWN BY
JAA

DRAWING NO.
INSTALL11.DWG
T-DWG