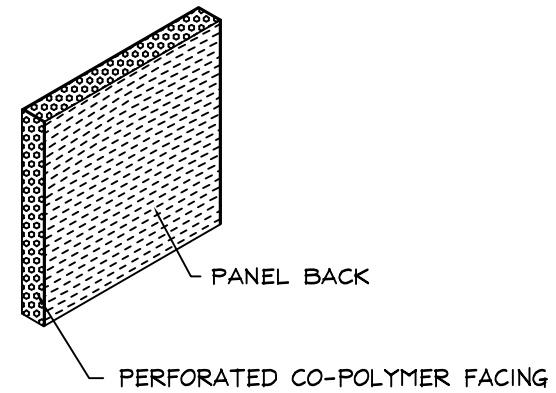
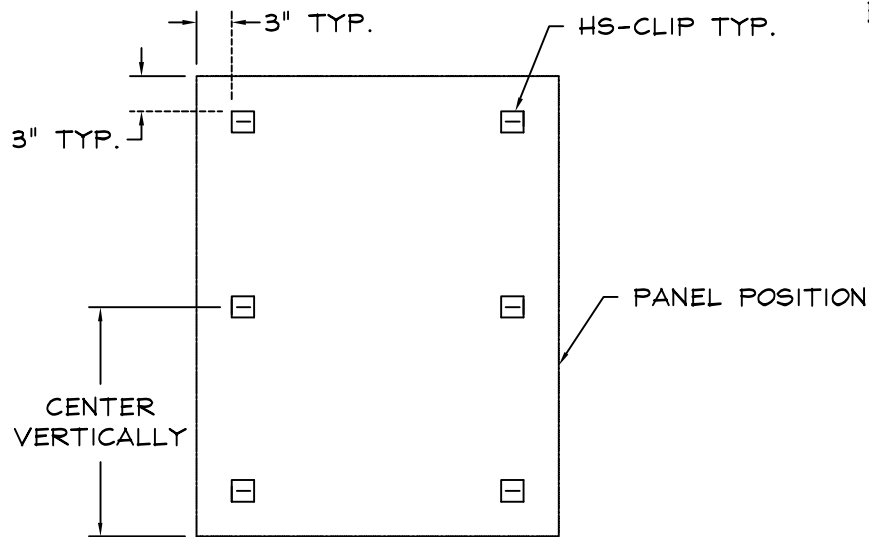


A



C



B

- DETERMINE WHERE PANELS ARE TO BE INSTALLED
- SCREW HS-CLIPS INTO PLACE ON WALL PER DETAIL B AND CLIP CHART BELOW
- STARTING 1/2" ABOVE DESIRED POSITION, IMPALE PANELS ONTO CLIPS.

PANEL LENGTH	# OF CLIPS
UP TO 24"	4
24" TO 48"	4
48" TO 72"	4
72" TO 96"	6
96" TO 120"	6

CLIP PLACEMENT IS APPROXIMATE
 NOTE: SEE CHART FOR TYP. NUMBER OF CLIPS PER PANEL



TITLE SPORTSBOARD CONFORM
 HS-CLIP INSTALLATION

LAST DATE REVISED
 4/27/09

DRAWN BY

DRAWING NO. INSTALL13 T-DWG