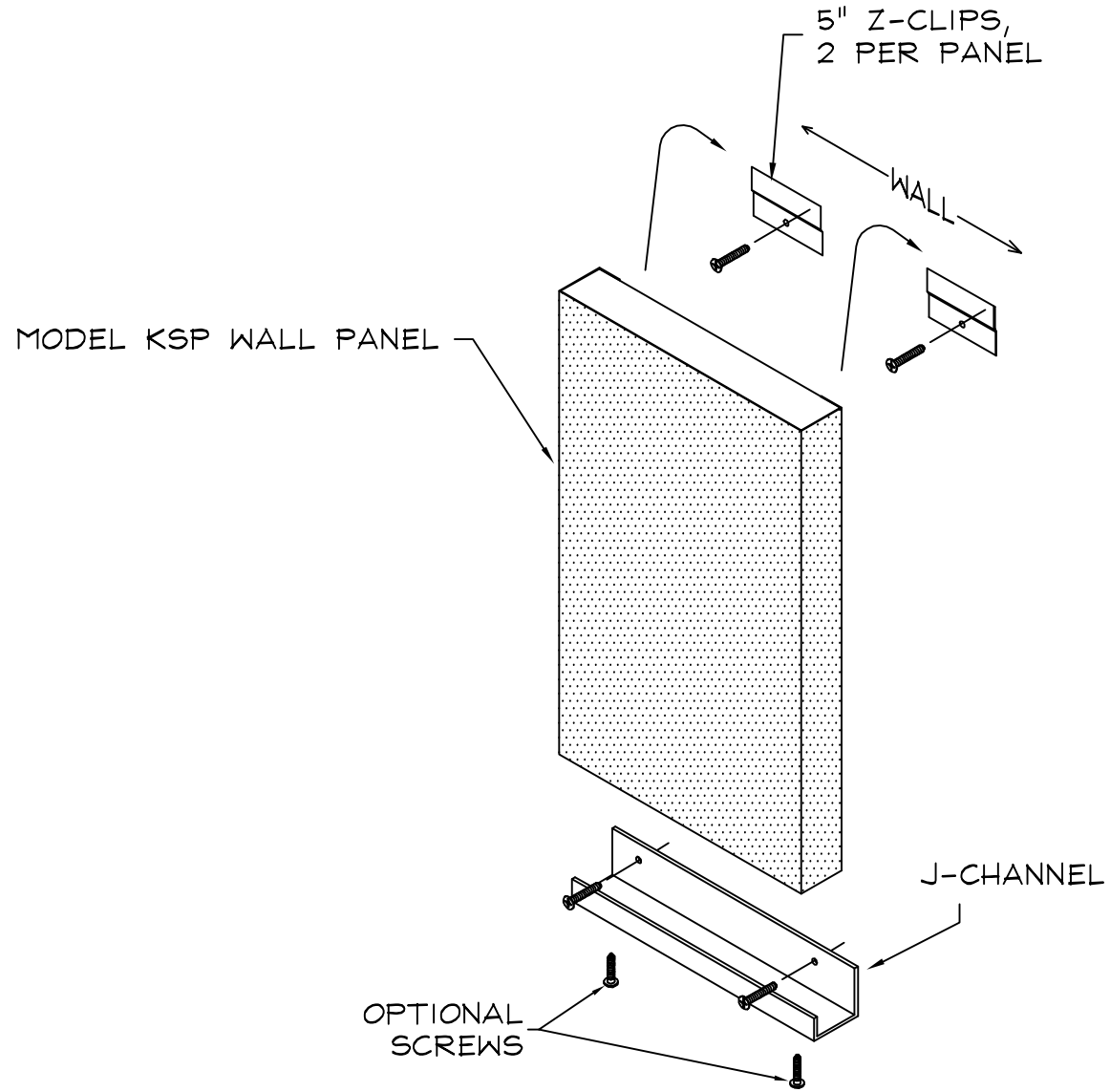


MODEL KSP
INSTALLATION INSTRUCTIONS



1. USING APPROPRIATE SCREWS, ATTACH THE Z-CLIP TO THE WALL.
2. MARK BOTTOM OF PANEL ON WALL.
3. SCREW J-CHANNEL TO WALL WITH BOTTOM OF CHANNEL 1/8" BELOW MARK ON WALL.
4. PLACE KNP PANEL INTO J-CHANNEL



TITLE
Z-CLIP & J-CHANNEL
MODEL KSP

LAST DATE
REVISED
4/27/09

DRAWN BY
HAB

DRAWING NO.
INSTAL17B
T-DWG