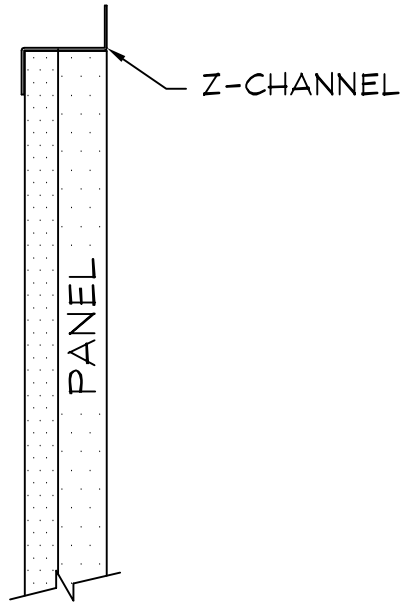
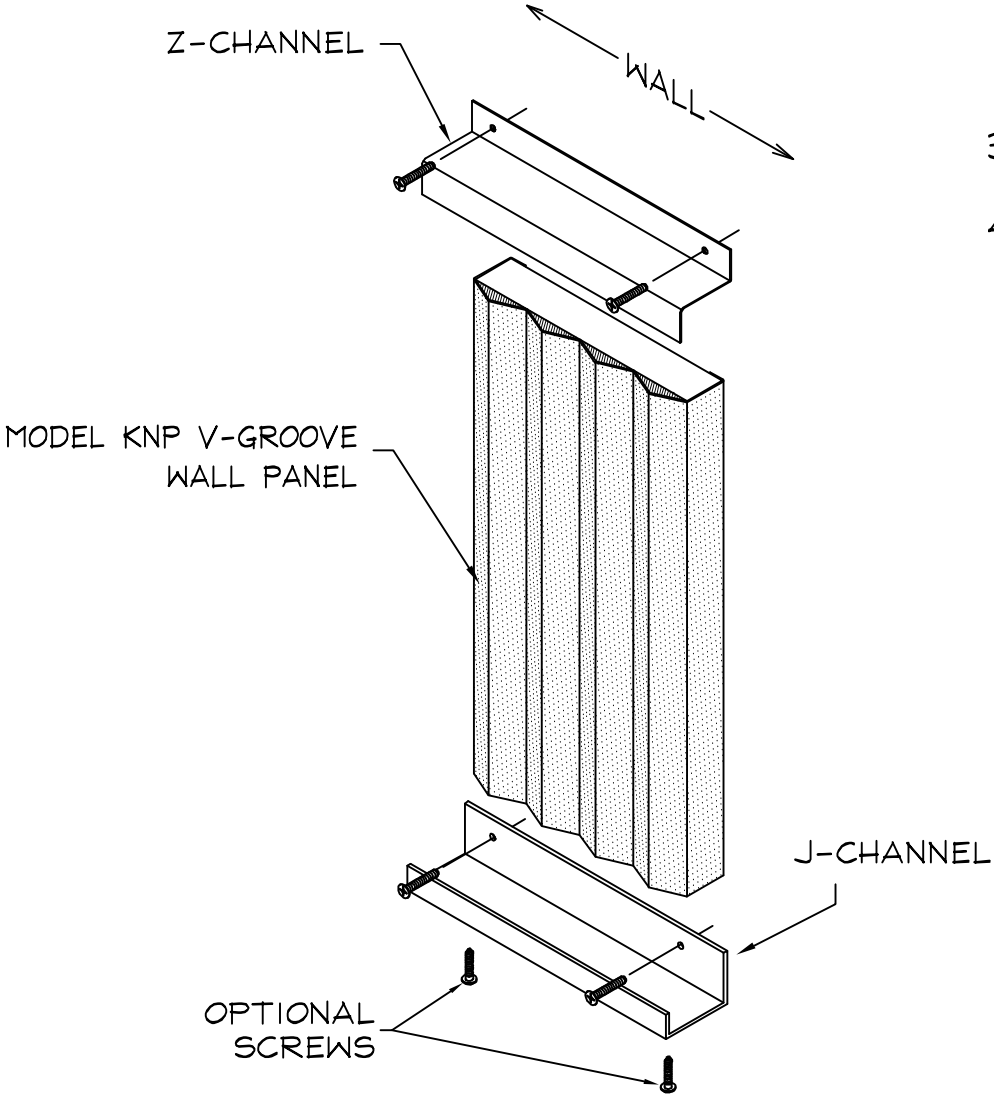


MODEL KNP V-GROOVE INSTALLATION INSTRUCTIONS

1. MARK BOTTOM OF PANEL ON WALL.
2. SCREW J-CHANNEL TO WALL WITH BOTTOM OF CHANNEL 1/8" BELOW MARK ON WALL.
3. PLACE KNP PANEL INTO J-CHANNEL
4. INSTALL Z-CHANNEL ON TOP OF PANEL AND FASTEN IN PLACE.



SIDE VIEW



TITLE
**V-GROOVE
 MODEL KNP INSTALLATION
 WITH Z-CHANNEL & J-CHANNEL**

LAST DATE
 REVISED
2/15/08

DRAWN BY
JAA

DRAWING NO. **INSTAL18B** T-DWG