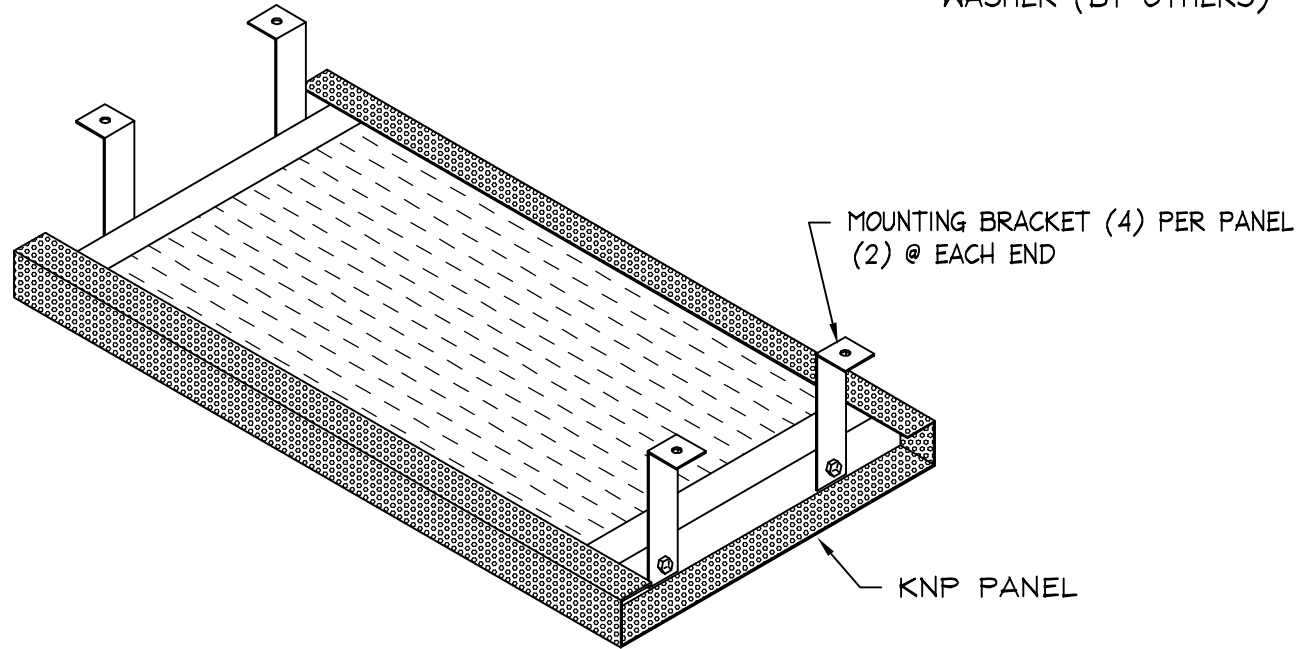


- 1.) DRILL HOLES IN PANEL FRAME.
- 2.) ATTACH L-BRACKETS TO PANEL WITH 3/16" DIAMETER BOLT, NUT & WASHER (BY OTHERS)



CEILING MOUNTING UTILIZING
OFFSET MOUNTING BRACKETS



TITLE KNP OFFSET BRACKET
W / RECESSED CHANNELS
INSTALLATION DETAIL

LAST DATE
REVISED
4/27/09

DRAWN BY
JAA

DRAWING NO. T-DWG
INSTAL30.DWG