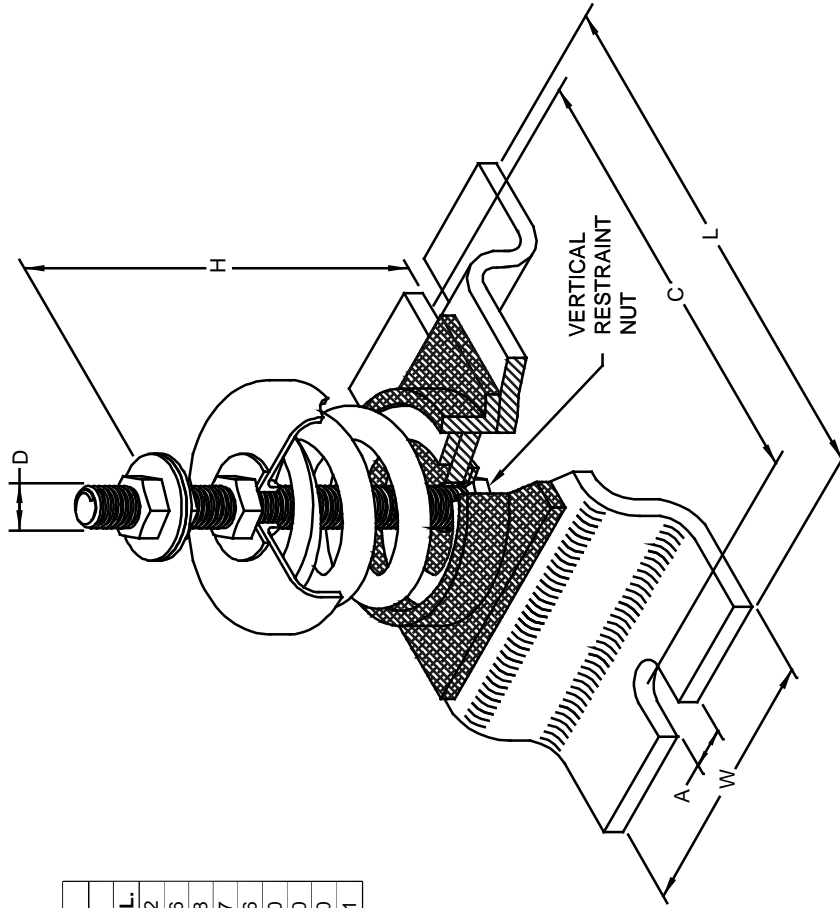


**FRS 1" DEFLECTION ISOLATOR
IP UNITS (INCHES AND POUNDS)**


TYPE	L	W	C	A	H	D
1-35/805	4.75	3.00	3.75	0.44	6.00	0.50

STANDARD RATINGS	TYPE	SIZE	COLOR			SPRING COIL			RATED	
			OUTER	INNER	FREE HT.	O.D.	HT.	LOAD	DEFL.	
FRS	1-35	BLUE			3.19	1.75	35	1.52		
FRS	1-70	GREEN			3.19	1.75	70	1.36		
FRS	1-120	GRAY			3.19	1.75	120	1.18		
FRS	1-220	BROWN			3.19	1.75	220	1.07		
FRS	1-370	ORANGE			3.19	1.75	370	0.96		
FRS	1-500	BEIGE			3.19	1.75	500	1.00		
FRS	1-600	CHROME			3.19	1.75	600	1.00		
* FRS	1-700	BEIGE	WHITE		3.19	1.75	700	1.00		
* FRS	1-805	CHROME	WHITE		3.19	1.75	805	1.01		



SPECIFICATIONS:

- ISOLATORS ARE DESIGNED FOR VERTICAL MOTION RESTRAINT
- ISOLATORS CAN BE BOLTED TOP AND BOTTOM
- ISOLATORS HAVE A MINIMUM Kx/Ky RATIO OF 1.0
- ISOLATORS MARKED (*) HAVE A TYPICAL OVERLOAD CAPACITY OF 50%
- ISOLATORS MARKED (*) HAVE A TYPICAL OVERLOAD CAPACITY OF 30%
- SPRING ELEMENTS ARE SAFE AT SOLID LOADING
- SPRING ELEMENTS ARE POWDER COATED
- ALL HARDWARE TO BE ZINC PLATED
- NEOPRENE NOISE CAP CONTAINS AN EMBEDDED STEEL CUP

	Member 	KINETICS NOISE CONTROL, INC 6300 IRELAN PL, DUBLIN, OH 43017 USA Ph: 614 889-0480, Fax: 614 889-0540 www.kineticsnoise.com	Model: FRS 1-35/805	By: JMJ Date: 02/27/03 Revised: / /	Drawing No: S-01.23-11

KINETICS™ Riser Design Manual

MODEL FRS 1-35/805 ISOLATOR

PAGE 1 OF 3



DUBLIN, OHIO, USA • MISSISSAUGA, ONTARIO, CANADA

Toll Free (USA only): 800-959-1229
 International: 614-889-0480
 Fax: 614-889-0540
 World Wide Web: www.kineticsnoise.com
 Email: sales@kineticsnoise.com

DOCUMENT:

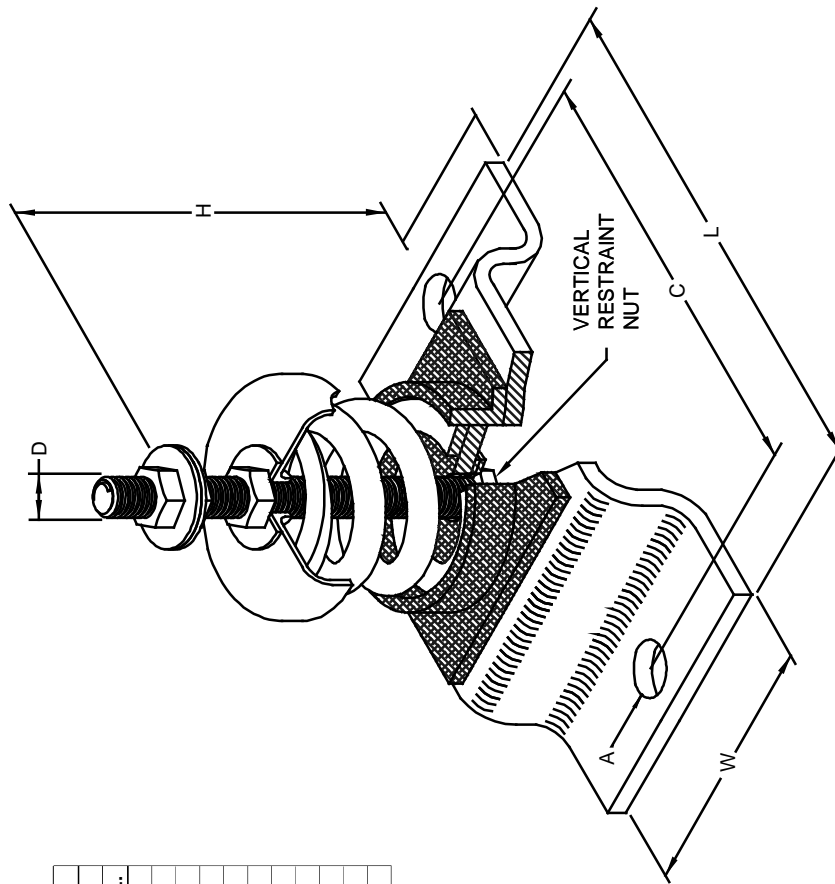
R3.3



**FRS 1" DEFLECTION ISOLATOR
IP UNITS (INCHES AND POUNDS)**

TYPE	L	W	C	A	H	D
1-250/3500	8.00	4.50	6.50	0.69	9.00	0.63

STANDARD RATINGS	TYPE	SIZE	COLOR		FREE		RATED	
			OUTER	INNER	HT.	O.D.	LOAD	DEFL.
FRS	1-250	BLUE			4.20	3.00	250	1.79
FRS	1-450	GREEN			4.20	3.00	450	1.54
FRS	1-625	BLACK			4.20	3.00	625	1.44
FRS	1-800	GRAY			4.20	3.00	800	1.31
FRS	1-1000	RED			4.20	3.00	1000	1.15
FRS	1-1250	BROWN			4.20	3.00	1250	1.09
FRS	1-1700	ORANGE			4.20	3.00	1700	0.95
FRS	1-2200	ORANGE	GRAY		4.20	3.00	2200	1.00
FRS	1-2465	BLUE			4.20	3.00	2465	1.00
FRS	1-2865	BLUE	GRAY		4.20	3.00	2865	1.00
FRS	1-3500	BLUE	BROWN		4.20	3.00	3500	1.00



SPECIFICATIONS:

- ISOLATORS ARE DESIGNED FOR VERTICAL MOTION RESTRAINT
- ISOLATORS CAN BE BOLTED TOP AND BOTTOM
- ISOLATORS HAVE A MINIMUM Kv/Ky RATIO OF 1.0
- ISOLATORS HAVE A TYPICAL OVERLOAD CAPACITY OF 50%
- SPRING ELEMENTS ARE SAFE AT SOLID LOADING
- SPRING ELEMENTS ARE POWDER COATED
- ALL HARDWARE TO BE ZINC PLATED
- NEOPRENE NOISE CAP CONTAINS AN EMBEDDED STEEL CUP



MEMBER
VISCMA
International Vibration and Seismic Control Association

Model:
FRS
1-250/3500

By: JMJ
Date: 03/03/03
Revised: /

Drawing No:
S-01.23-12

KINETICS NOISE CONTROL, INC.
6300 IRELAN PL.
DUBLIN, OH 43017 USA
Ph: 614 889-0480. Fax: 614 889-0540
www.kineticsnoise.com

MODEL FRS 1-250/3500 ISOLATOR

PAGE 2 OF 3



DUBLIN, OHIO, USA • MISSISSAUGA, ONTARIO, CANADA

Toll Free (USA only): 800-959-1229
International: 614-889-0480
Fax: 614-889-0540
World Wide Web: www.kineticsnoise.com
Email: sales@kineticsnoise.com

DOCUMENT:

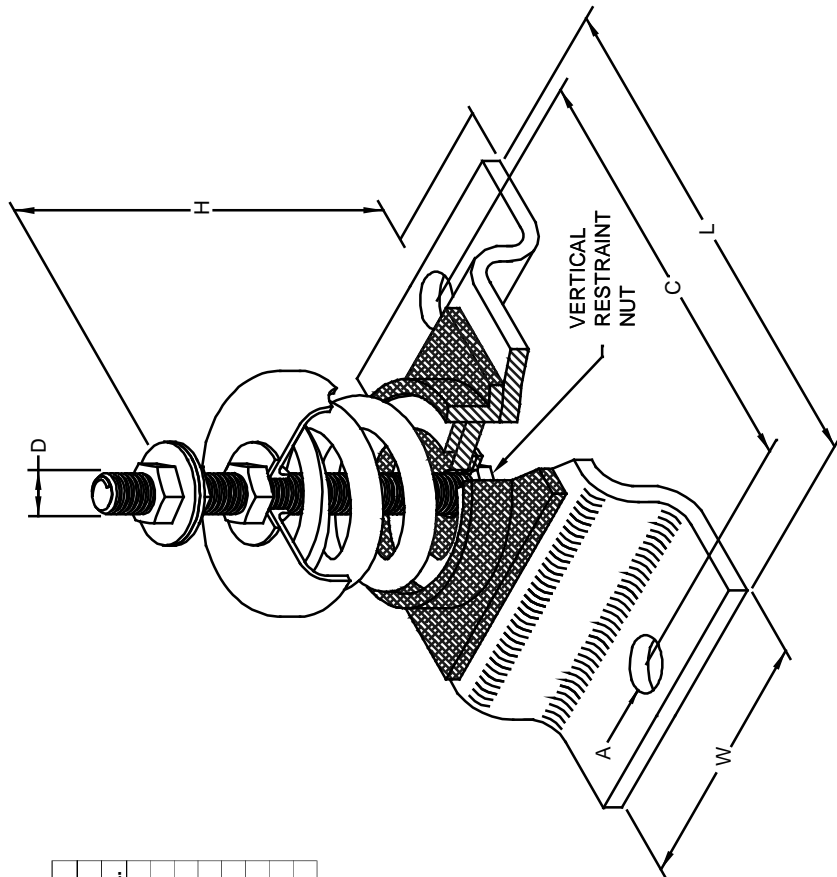
R3.3



**FRS 2" DEFLECTION ISOLATOR
IP UNITS (INCHES AND POUNDS)**

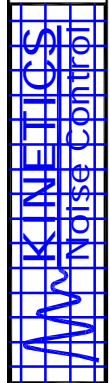
TYPE	L	W	C	A	H	D
2-100/1975	8.00	4.50	6.50	0.69	11.00	0.63

STANDARD RATINGS	TYPE	SIZE	COLOR		FREE		RATED	
			OUTER	INNER	HT.	O.D.	LOAD	DEFL.
FRS	2-100	GRAY			6.09	3.50	100	2.00
FRS	2-250	BLUE			6.09	3.50	250	2.00
FRS	2-500	GREEN			6.09	3.50	500	2.00
FRS	2-750	BLACK			6.09	3.50	750	2.00
FRS	2-995	ORANGE			6.09	3.50	995	2.00
FRS	2-1400	ORANGE	GREEN		6.09	3.50	1400	2.01
FRS	2-1600	RED			6.09	3.50	1600	2.00
FRS	2-1975	RED	GREEN		6.09	3.50	1975	1.98



SPECIFICATIONS:

- ISOLATORS ARE DESIGNED FOR VERTICAL MOTION RESTRAINT
- ISOLATORS CAN BE BOLTED TOP AND BOTTOM
- ISOLATORS HAVE A MINIMUM K_v/K_y RATIO OF 1.0
- ISOLATORS HAVE A TYPICAL OVERLOAD CAPACITY OF 50%
- SPRING ELEMENTS ARE SAFE AT SOLID LOADING
- SPRING ELEMENTS ARE POWDER COATED
- ALL HARDWARE TO BE ZINC PLATED
- NEOPRENE NOISE CAP CONTAINS AN EMBEDDED STEEL CUP



KINETICS NOISE CONTROL, INC
6300 IRELAN PL, USA
DUBLIN, OH 43017 USA
Ph: 614 889-0480, Fax: 614 889-0540
www.kineticsnoise.com

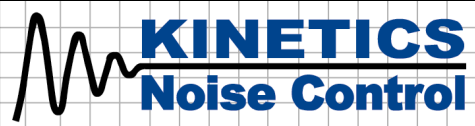
Model: **FRS**
2-100/1975

By: **JMJ**
Date: **03/03/03**
Revised: **/**

Drawing No: **S-01.23-21**

MODEL FRS 2-100/1975 ISOLATOR

PAGE 3 OF 3



DUBLIN, OHIO, USA • MISSISSAUGA, ONTARIO, CANADA

Toll Free (USA only): 800-959-1229
International: 614-889-0480
Fax: 614-889-0540
World Wide Web: www.kineticsnoise.com
Email: sales@kineticsnoise.com

DOCUMENT:

R3.3

