

CHAPTER P5
HS SERIES RESTRAINTS
TABLE OF CONTENTS

General Description	P5.1
Submittal Data	P5.2
HS-2 Seismic Snubber	P5.2.1
HS-5 Seismic Snubber	P5.2.2
Selection Information	P5.3
Load Spreader Plate Data	P5.4
Installation Instructions	P5.5

TABLE OF CONTENTS (Chapter P5)

HS SERIES RESTRAINTS

RELEASE DATE: 12/12/03



DUBLIN, OHIO, USA • MISSISSAUGA, ONTARIO, CANADA

Toll Free (USA only): 800-959-1229
International: 614-889-0480
Fax: 614-889-0540
World Wide Web: www.kineticsnoise.com
Email: sales@kineticsnoise.com

PAGE:

P5.0

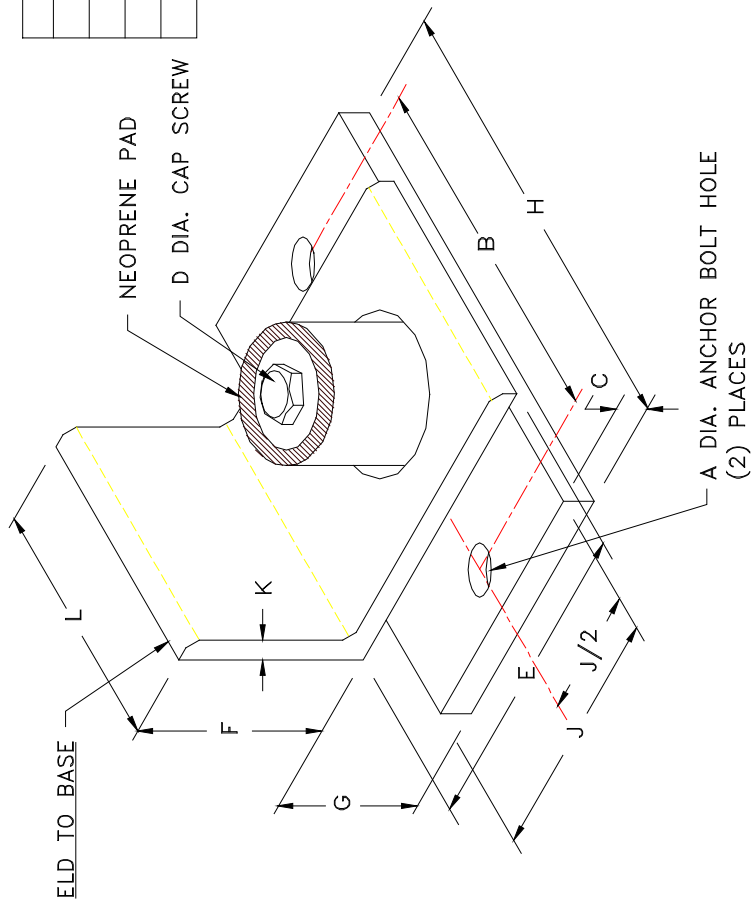


DIMENSIONS

MODEL NO.	A	B	C	D	E	F	G	H	J	K	L
HS-2-2000	.44	6.00	.50	.50	5.00	3.00	1.25	7.50	4.00	.38	4.50
HS-2-4000	.56	6.00	.63	.75	5.00	3.00	1.25	7.50	4.00	.38	4.50
HS-2-6000	.69	7.50	.75	.75	6.00	4.00	2.00	9.50	5.00	.50	6.00
HS-2-8000	.94	10.50	1.00	1.00	6.00	4.00	2.00	13.50	5.00	.50	8.00

LOAD LIMIT VALUES	2000	4000	6000	8000
STANDARD ANCHORS	945#	1308#	1677#	3354#
ANCHORS 100% INSP.	1267#	1854#	2646#	5235#
BOLTED TO STEEL	1624#	2887#	4300#	6966#
WELDED TO STEEL	1779#	3387#	4922#	6966#

ANCHOR LOADS BASED ON ITW TRUBOLT WEDGE ANCHORS IN 3500 PSI STONE AGGREGATE CONCRETE



OPTIONAL 3/8" WELD FULL LENGTH (BOTH ENDS) (IN LIEU OF BOLTS)

WELDED ANCHOR PLATE

NOTE:
1. ALL DIMENSIONS IN INCHES.

HS-2 SEISMIC SNUBBER

DRAWING # S-04.13-1A

RELEASE DATE: 12/19/03



DUBLIN, OHIO, USA • MISSISSAUGA, ONTARIO, CANADA

Toll Free (USA only): 800-959-1229
 International: 614-889-0480
 Fax: 614-889-0540
 World Wide Web: www.kineticsnoise.com
 Email: sales@kineticsnoise.com

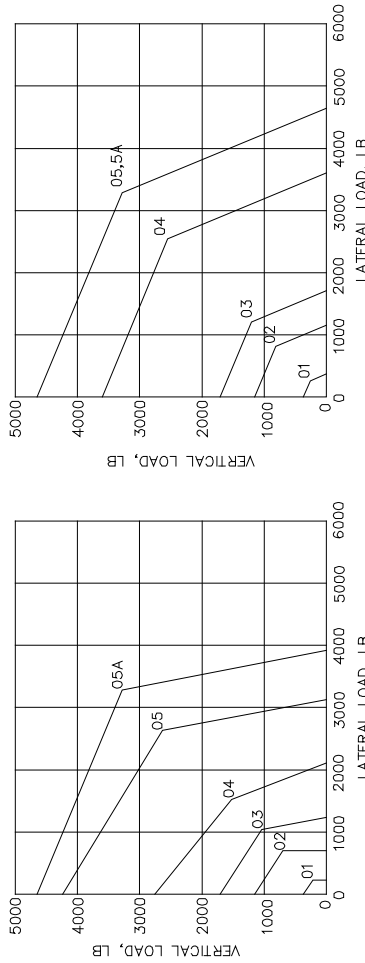
DOCUMENT:

P5.2.1



ITEM	LISTED CAPACITY	NO. OF ANC'S	A	B	C	D	E	F	G	H	J	K	L	M	N	EMBED.
01	250	2	6.00	6.00	1.50	4.00	1.00	2.00	0.50	0.50	0.38	3.00	0.38	6.00	3.00	2.5
02	650	2	7.00	6.00	1.50	5.00	1.00	2.50	0.75	0.50	0.50	3.00	0.38	6.00	3.00	3.5
03	1125	2	9.00	6.00	1.75	7.00	1.00	3.50	0.88	0.50	0.63	3.50	0.50	6.00	3.00	4.0
04	2075	2	11.50	6.00	2.00	9.50	1.00	4.75	1.25	0.50	0.88	4.00	0.50	6.00	3.00	4.75
05	3275	2	15.00	8.00	2.00	12.00	1.50	6.00	1.25	0.50	1.00	4.25	0.50	6.00	3.00	6.0
05A	3275	2	15.00	8.00	2.00	12.00	1.50	6.00	1.25	0.50	1.00	4.25	0.50	6.00	3.00	9.0

HS-5 LOAD CAPACITY IN POUNDS



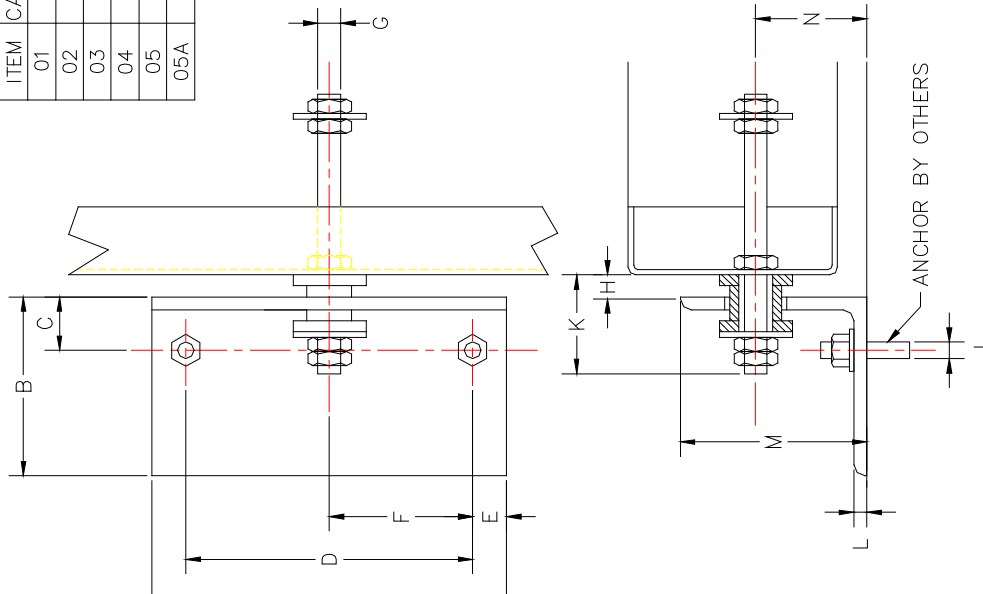
ANCHORED TO CONCRETE BOLTED OR WELDED TO STEEL

OPERATING CLEARANCE FOR THE HS-5 SNUBBER IS APPROX. 0.25 IN ALL DIRECTIONS.

KINETICS HS-5 SNUBBER LISTED CAPACITIES ARE BASED ON EQUAL SIMULTANEOUSLY APPLIED VERTICAL AND HORIZONTAL LOADS. HORIZONTAL LOADS CAN BE APPLIED ON EITHER AXIS.

CAPACITIES FOR INDIVIDUALLY APPLIED LOADS ARE HIGHER, CONSULT KINETICS FOR DETAILS.

CAPACITIES ASSUME THE USE OF THE INDICATED ANCHORS EMBEDDED THEIR APPROVED EMBEDMENT DEPTH IN 3000 PSI CONCRETE. (NO SPECIAL INSPECTION IS REQUIRED.)



HS-5 SEISMIC SNUBBER

DRAWING # S-04.80-1A

RELEASE DATE: 12/19/03



Toll Free (USA only): 800-959-1229
 International: 614-889-0480
 Fax: 614-889-0540
 World Wide Web: www.kineticsnoise.com
 Email: sales@kineticsnoise.com

DOCUMENT:

P5.2.2

