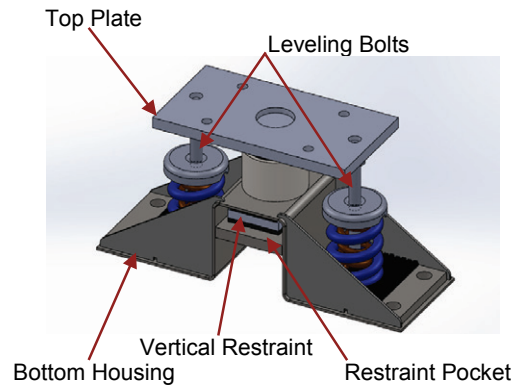


INSTALLATION INSTRUCTIONS

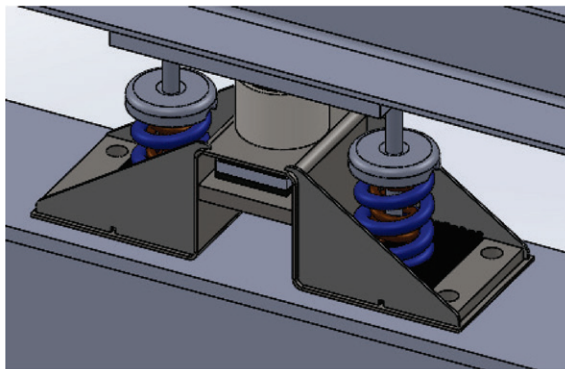
MODEL TITAN ISOLATOR

NOTE: KINETICS NOISE CONTROL SUGGESTS THAT MODEL TITAN ISOLATORS BE ON THE JOBSITE PRIOR TO THE ARRIVAL OF THE EQUIPMENT.

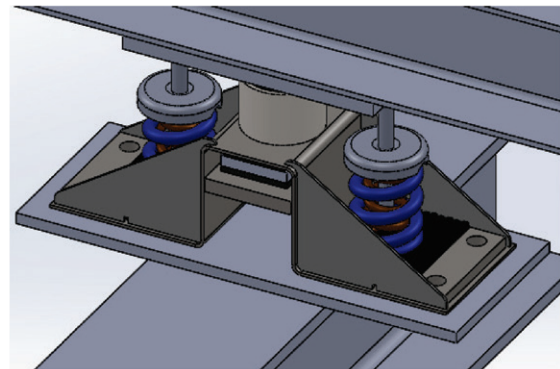
- 1) LOCATE EACH ISOLATOR INTO POSITION BASED ON SUBMITTAL DRAWING USING COLOR CODED SPRINGS AS IDENTIFICATION.
- 2) PLACE THE ISOLATORS IN THEIR PROPER LOCATION AND ATTACH THE BOTTOM HOUSING TO THE BUILDING SUPPORT STRUCTURE.
- 3) SET THE EQUIPMENT FOOT, BRACKET OR SUPPORT STEEL ON TOP OF THE ISOLATOR AND ATTACH TO THE TOP PLATE USING THE PROVIDED MOUNTING HOLES OR AN EQUIVALENT AMOUNT OF WELD. (NOTE THAT ONCE THE INSTALLATION IS COMPLETE, THE EQUIPMENT WILL BE LIFTED $\frac{1}{4}$ " ABOVE THIS INITIAL ELEVATION.)
- 4) FOR 2 SPRING UNITS, TURN BOTH OF THE LEVELING BOLTS 1 TURN COUNTER-CLOCKWISE AT EACH ISOLATOR LOCATION. CONTINUE DOING THIS MOVING AROUND THE PIECE OF EQUIPMENT UNTIL THE UNDERSIDE OF THE TOP PLATE LIFTS APPROX $\frac{1}{32}$ " OFF OF THE CENTRAL PORTION OF THE BOTTOM HOUSING AT ONE LOCATION. ONCE CLEARANCE IS OBSERVED BETWEEN THE RESTRAINT ELEMENT AND THE BOTTOM HOUSING, STOP ADJUSTING THAT PARTICULAR ISOLATOR, BUT CONTINUE TO ADJUST THE REMAINDER UNTIL APPROX $\frac{1}{32}$ " CLEARANCE IS OBSERVED AT ALL LOCATIONS.
- 5) FOR 4 SPRING UNITS, PERFORM STEP 4 USING ALL 4 LEVELING BOLTS ON EACH ISOLATOR.
- 6) ONCE ALL SUPPORT POINTS SHOW CLEARANCE, TURN ALL OF THE LEVELING BOLTS ON ALL ISOLATORS 2 ADDITIONAL TURNS TO CENTER THE VERTICAL RESTRAINT ELEMENT IN THE RESTRAINT POCKET.
- 7) DO NOT ATTEMPT TO MOVE ISOLATORS Laterally WITH THE WEIGHT OF THE EQUIPMENT ON THEM. IF IT IS NECESSARY TO MOVE THE EQUIPMENT, LIFT THE EQUIPMENT APPROX $\frac{1}{4}$ " (UNTIL THE WEIGHT IS OFF THE ISOLATOR) SHIFT IT AND THEN SET IT BACK DOWN.



NOTE: IF THE EQUIPMENT SUPPORT STEEL IS PERPENDICULAR TO THE LONG AXIS OF THE ISOLATOR, AN ADDITIONAL PLATE OF ADEQUATE THICKNESS TO FULLY SUPPORT THE OVERHANGING EARS OF THE TITAN ISOLATOR MUST BE FITTED.



ORIENTATION OK



ADDED SUPPORT PLATE



By: PWM
Date: 08/02/13
Revised: 10/06/14/BB

Drawing No:
INS-01.30-0A