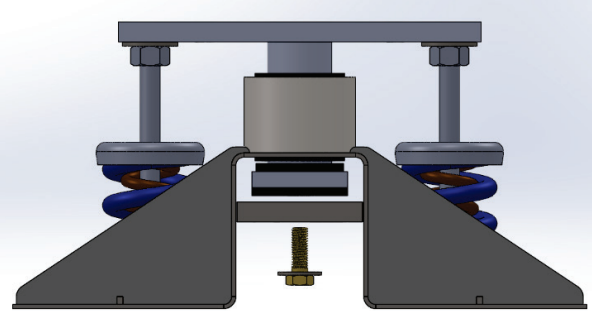


SNUBBER REPLACEMENT

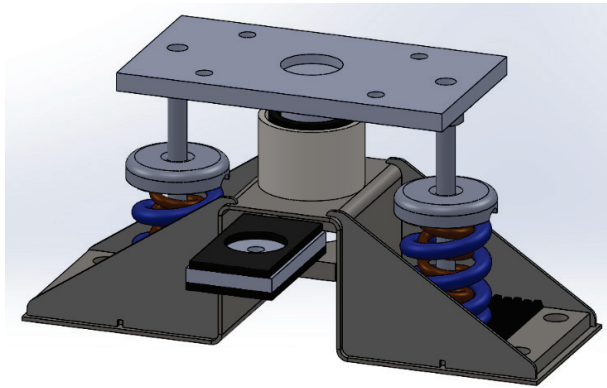
Model Titan Isolator

Field Replacement of Seismic Snubbing Element

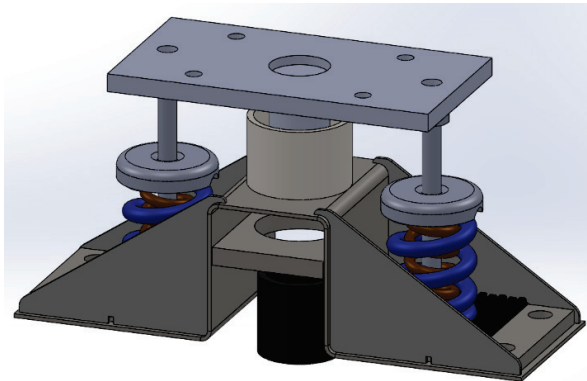
Unlike most Seismic Isolators, it is a simple process to replace any Neoprene Element in a Titan Isolator that might incur damage during a seismic event.



Unscrew and remove the Vertical Restraint Bolt



Slide the Vertical Restraint Component out of the Housing



The Horizontal Restraint Element will Drop out of the Housing

Replace the Neoprene Elements and Reassemble in Reverse Order