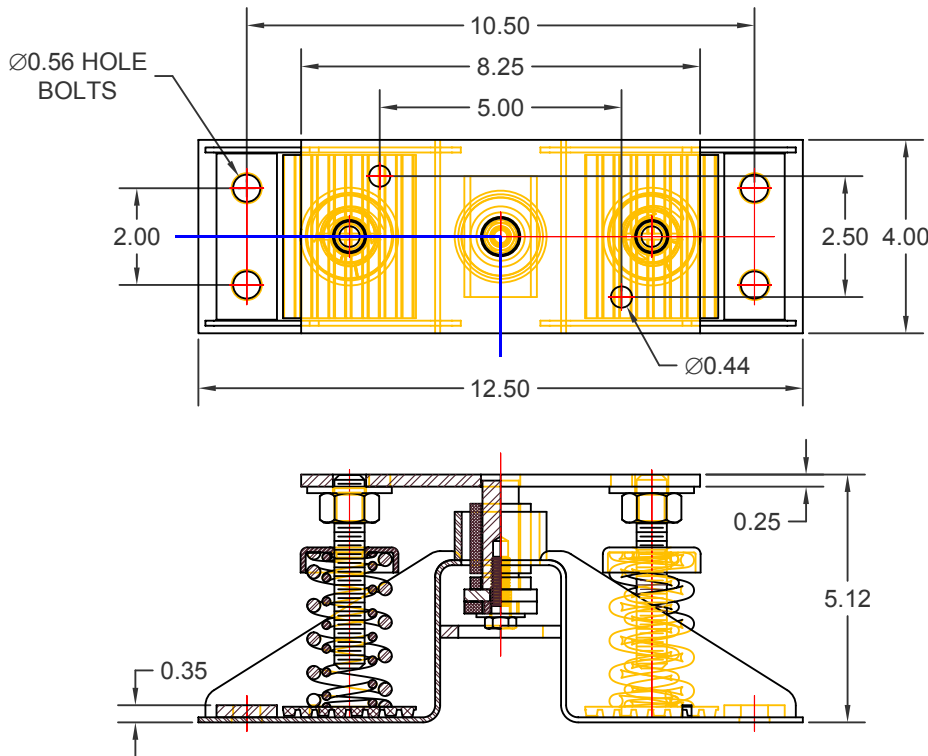


MODEL	SPRING					
	COLOR		FREE HT.	O.D.	RATED	
	OUTER	INNER			LOAD	DEFL.
TITAN (A) 1-70	BLUE		3.19	1.75	70	1.52
TITAN (A) 1-140	GREEN		3.19	1.75	140	1.36
TITAN (A) 1-240	GRAY		3.19	1.75	240	1.18
TITAN (A) 1-440	BROWN		3.19	1.75	440	1.07
TITAN (A) 1-740	ORANGE		3.19	1.75	740	0.96
TITAN (A) 1-1000	BEIGE		3.19	1.75	1000	1.00
TITAN (A) 1-1200	CHROME		3.19	1.75	1200	1.00
TITAN (A) 1-1400	BEIGE	WHITE	3.19	1.75	1400	1.00
TITAN (A) 1-1600	CHROME	WHITE	3.19	1.75	1600	1.00



SPECIFICATIONS

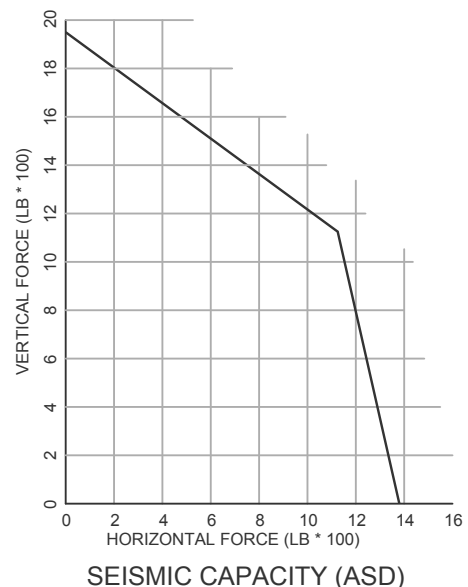
- * VERTICALLY AND Laterally RESTRAINED SPRING ISOLATOR.
- * CONSTANT FREE AND OPERATING HEIGHT.
- * FIELD REPLACEABLE RUBBER ELEMENTS.
- * MIN OVERLOAD OF 50%.
- * MIN K_x/K_y RATIO OF 1.0.
- * ALL ELEMENTS SAFE AT SOLID LOADING.
- * POWDER COATED SPRING COILS.
- * HOUSINGS ARE HOT DIP GALVANIZED.
- * HARDWARE IS ZINC PLATED.
- * TOTAL COMBINED LATERAL AND VERTICAL MOVEMENT IS LIMITED TO $\frac{1}{2}$ " ($\frac{1}{4}$ " IN ANY DIRECTION).

NOTE:

CURRENT CODE REQUIREMENTS CALL FOR ANCHORS TO BE EVALUATED ON A CASE SPECIFIC BASIS. BUILDING CODE, ANCHOR TYPE AND INSTALLATION CONDITIONS ALL IMPACT THE CAPACITY. FOR APPLICATIONS CERTIFIED BY KNC, THIS EVALUATION WILL BE PERFORMED BY KNC. FOR APPLICATIONS CERTIFIED BY OTHERS, IT IS RECOMMENDED THAT THE DESIGNER USE THE APPROPRIATE ANCHOR MANUFACTURER'S ANALYSIS SOFTWARE.

WITH THE USE OF CONCRETE ANCHORS AND AN APPROPRIATE OVERSIZED BASEPLATE, THE MAXIMUM RESTRAINT RATING OF THIS ISOLATOR CAN BE INCREASED AS HIGH AS THE LEVEL FOR WELDED/BOLTED CONNECTIONS INDICATED ON THIS CURVE.

(4) BOLTS OR WELDED
MAX HOR-1380, MAX VER-1950, COMBINED-1125 (LB)



Drawing No:
S-01.30-11A

By: PWM

Date: 04/17/13

Revised: 11/16/15 / JW

Model:
TITAN (A)
1-70/1600

KINETICS NOISE CONTROL, INC
6300 IRELAN PL,
DUBLIN, OH 43017 USA
Ph: 614 889-0480, Fax: 614 889-0540
www.kineticsnoise.com

Member
V/SCMA
Vibration Isolation and Seismic Control Manufacturers Association

KINETICS
Noise Control