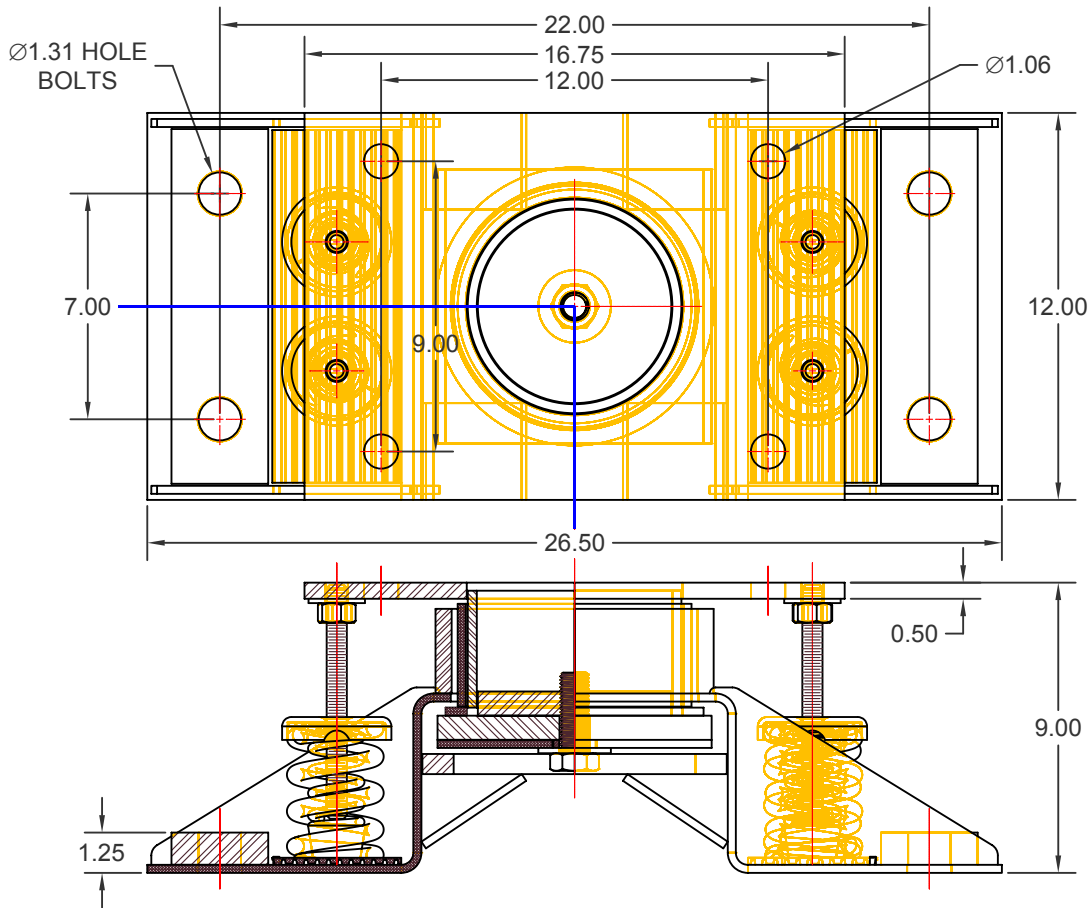


MODEL	SPRING					
	COLOR		FREE		RATED	
	OUTER	INNER	HT.	O.D.	LOAD	DEFL.
TITAN (B) 1-7600	RED	BROWN	4.20	3.00	7600	1.00
TITAN (B) 1-8800	ORANGE	GRAY	4.20	3.00	8800	1.00
TITAN (B) 1-9860	BLUE		4.20	3.00	9860	1.00
TITAN (B) 1-10680	BLUE	BROWN	4.20	3.00	10680	1.00
TITAN (B) 1-11460	BLUE	GRAY	4.20	3.00	11460	1.00
TITAN (B) 1-12260	BLUE	CHROME	4.20	3.00	12260	1.00
TITAN (B) 1-14000	BLUE	BROWN	4.20	3.00	14000	1.00



### SPECIFICATIONS

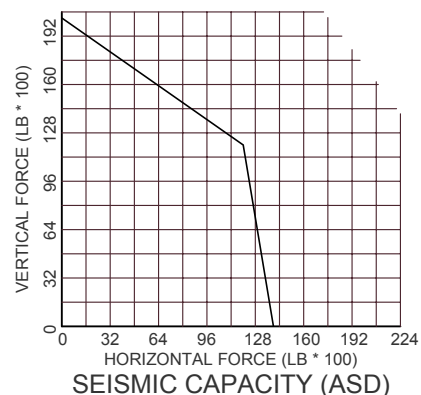
- \* VERTICALLY AND LATERALLY RESTRAINED SPRING ISOLATOR.
- \* CONSTANT FREE AND OPERATING HEIGHT.
- \* FIELD REPLACEABLE RUBBER ELEMENTS.
- \* MIN OVERLOAD OF 50%.
- \* MIN K<sub>x</sub>/K<sub>y</sub> RATIO OF 1.0.
- \* ALL ELEMENTS SAFE AT SOLID LOADING.
- \* POWDER COATED SPRING COILS.
- \* HOUSINGS ARE HOT DIP GALVANIZED.
- \* HARDWARE IS ZINC PLATED.
- \* TOTAL COMBINED LATERAL AND VERTICAL MOVEMENT IS LIMITED TO 1/2" (1/4" IN ANY DIRECTION).

### NOTE:

CURRENT CODE REQUIREMENTS CALL FOR ANCHORS TO BE EVALUATED ON A CASE SPECIFIC BASIS. BUILDING CODE, ANCHOR TYPE AND INSTALLATION CONDITIONS ALL IMPACT THE CAPACITY. FOR APPLICATIONS CERTIFIED BY KNC, THIS EVALUATION WILL BE PERFORMED BY KNC. FOR APPLICATIONS CERTIFIED BY OTHERS, IT IS RECOMMENDED THAT THE DESIGNER USE THE APPROPRIATE ANCHOR MANUFACTURER'S ANALYSIS SOFTWARE.

WITH THE USE OF CONCRETE ANCHORS AND AN APPROPRIATE OVERSIZED BASEPLATE, THE MAXIMUM RESTRAINT RATING OF THIS ISOLATOR CAN BE INCREASED AS HIGH AS THE LEVEL FOR WELDED/BOLTED CONNECTIONS INDICATED ON THIS CURVE.

WELDED/BOLTED  
MAX HOR-14000, MAX VER-20800, COMBINED-12000 (LB)



Drawing No: S-01.30-13B

By: PWM  
Date: 04/17/13  
Revised: 11/16/15 / JW

Model: TITAN (B)  
1-7600/14000

KINETICS NOISE CONTROL, INC  
6300 IRELAN PL.  
DUBLIN, OH 43017 USA  
Ph: 614 889-0480, Fax: 614 889-0540  
www.kineticsnoise.com

Member  
VISCMA  
Vibration Isolation and Seismic Control Manufacturers Association

**KINETICS**  
Noise Control