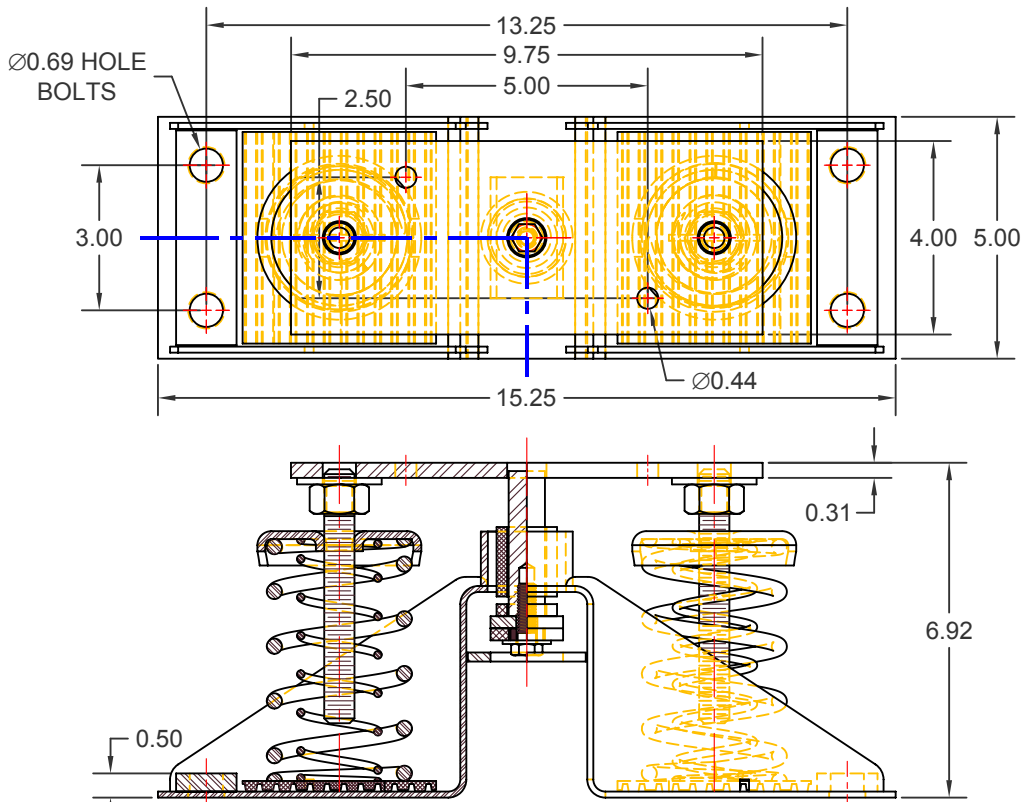


MODEL	SPRING					
	COLOR		FREE HT.	O.D.	RATED	
	OUTER	INNER			LOAD	DEFL.
TITAN (B) 2-50	GRAY		5.00	3.00	50	2.00
TITAN (B) 2-100	BLUE		5.00	3.00	100	2.00
TITAN (B) 2-166	BLUE	GRAY	5.00	3.00	166	2.00
TITAN (B) 2-233	BLUE	BLUE	5.00	3.00	233	2.01
TITAN (B) 2-300	GREEN		5.00	3.00	300	2.00
TITAN (B) 2-366	GREEN	GRAY	5.00	3.00	366	2.00
TITAN (B) 2-433	GREEN	BLUE	5.00	3.00	433	2.00
TITAN (B) 2-495	BLACK		5.00	3.00	495	1.98
TITAN (B) 2-556	BLACK	GRAY	5.00	3.00	556	1.96
TITAN (B) 2-622	BLACK	BLUE	5.00	3.00	622	1.97
TITAN (B) 2-700	BEIGE		5.00	3.00	700	2.00
TITAN (B) 2-766	BEIGE	GRAY	5.00	3.00	766	2.00
TITAN (B) 2-833	BEIGE	BLUE	5.00	3.00	833	2.00



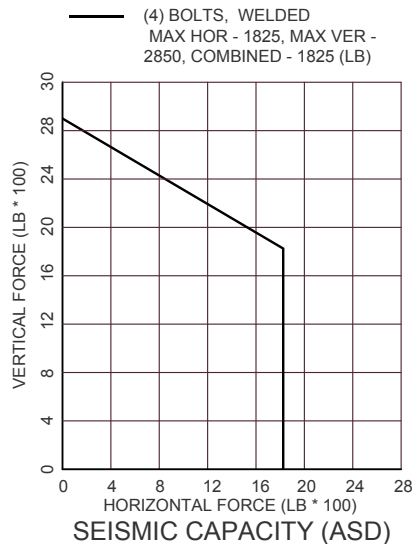
SPECIFICATIONS

- * VERTICALLY AND Laterally RESTRAINED SPRING ISOLATOR.
- * CONSTANT FREE AND OPERATING HEIGHT.
- * FIELD REPLACEABLE RUBBER ELEMENTS.
- * MIN OVERLOAD OF 50%.
- * MIN K_x/K_y RATIO OF 1.0.
- * ALL ELEMENTS SAFE AT SOLID LOADING.
- * POWDER COATED SPRING COILS.
- * HOUSINGS ARE HOT DIP GALVANIZED.
- * HARDWARE IS ZINC PLATED.
- * TOTAL COMBINED LATERAL AND VERTICAL MOVEMENT IS LIMITED TO 1/2" (1/4" IN ANY DIRECTION).

NOTE:

CURRENT CODE REQUIREMENTS CALL FOR ANCHORS TO BE EVALUATED ON A CASE SPECIFIC BASIS. BUILDING CODE, ANCHOR TYPE AND INSTALLATION CONDITIONS ALL IMPACT THE CAPACITY. FOR APPLICATIONS CERTIFIED BY KNC, THIS EVALUATION WILL BE PERFORMED BY KNC. FOR APPLICATIONS CERTIFIED BY OTHERS, IT IS RECOMMENDED THAT THE DESIGNER USE THE APPROPRIATE ANCHOR MANUFACTURER'S ANALYSIS SOFTWARE.

WITH THE USE OF CONCRETE ANCHORS AND AN APPROPRIATE OVERSIZED BASEPLATE, THE MAXIMUM RESTRAINT RATING OF THIS ISOLATOR CAN BE INCREASED AS HIGH AS THE LEVEL FOR WELDED/BOLTED CONNECTIONS INDICATED ON THIS CURVE.



Drawing No: S-01.30-21B

By: PWM
Date: 04/17/13
Revised: 11/16/15 / JW

Model: TITAN (B) 2-50/833

KINETICS NOISE CONTROL, INC
6300 IRELAN PL,
DUBLIN, OH 43017 USA
Ph: 614 889-0480, Fax: 614 889-0540
www.kineticsnoise.com

