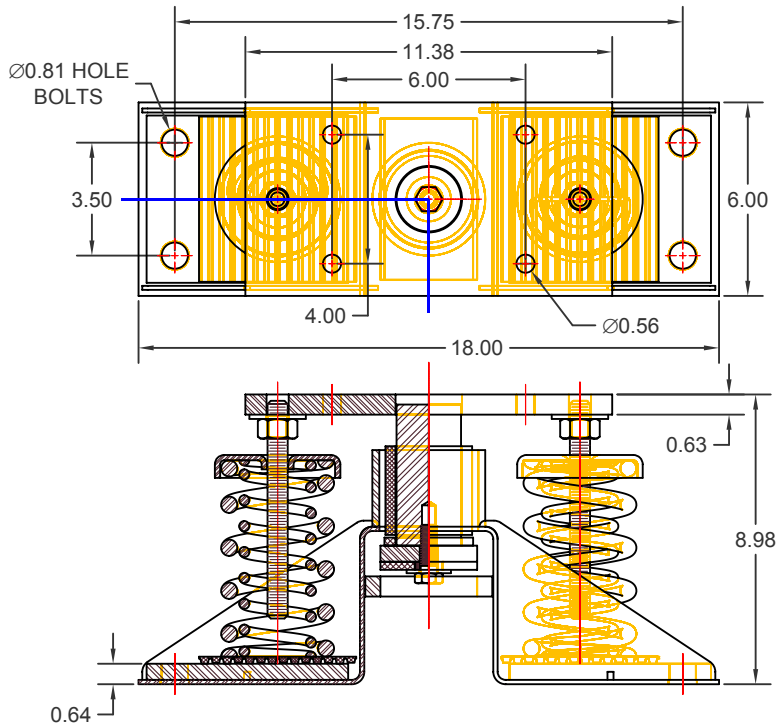


MODEL	SPRING					
	COLOR		FREE		RATED	
	OUTER	INNER	HT.	O.D.	LOAD	DEFL.
TITAN (B) 2-200	GRAY		6.09	3.50	200	2.00
TITAN (B) 2-270	BEIGE		6.09	3.50	270	2.00
TITAN (B) 2-370	BROWN		6.09	3.50	370	2.00
TITAN (B) 2-500	BLUE		6.09	3.50	500	2.00
TITAN (B) 2-750	BLUE	BROWN	6.09	3.50	750	2.00
TITAN (B) 2-1000	GREEN		6.09	3.50	1000	2.00
TITAN (B) 2-1250	GREEN	BROWN	6.09	3.50	1250	2.00
TITAN (B) 2-1500	BLACK		6.09	3.50	1500	2.00
TITAN (B) 2-1750	BLACK	BROWN	6.09	3.50	1750	2.00
TITAN (B) 2-1990	ORANGE		6.09	3.50	1990	2.00
TITAN (B) 2-2240	ORANGE	BROWN	6.09	3.50	2240	2.00
TITAN (B) 2-2800	ORANGE	GREEN	6.09	3.50	2800	2.01
TITAN (B) 2-3200	RED		6.09	3.50	3200	2.00
TITAN (B) 2-3450	RED	BROWN	6.09	3.50	3450	2.00
TITAN (B) 2-3950	RED	GREEN	6.09	3.50	3950	1.98



**SPECIFICATIONS**

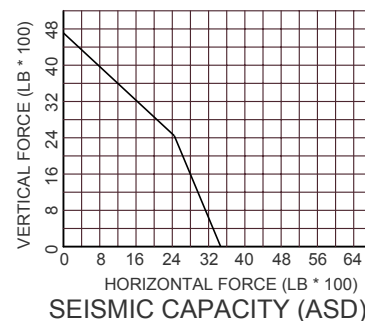
- \* VERTICALLY AND Laterally RESTRAINED SPRING ISOLATOR.
- \* CONSTANT FREE AND OPERATING HEIGHT.
- \* FIELD REPLACEABLE RUBBER ELEMENTS.
- \* MIN OVERLOAD OF 50%.
- \* MIN Kx/KY RATIO OF 1.0.
- \* ALL ELEMENTS SAFE AT SOLID LOADING.
- \* POWDER COATED COILS.
- \* HOUSINGS ARE HOT DIP GALVANIZED.
- \* HARDWARE IS ZINC PLATED.
- \* TOTAL COMBINED LATERAL AND VERTICAL MOVEMENT IS LIMITED TO 1/2" (1/4" IN ANY DIRECTION).

**NOTE:**

CURRENT CODE REQUIREMENTS CALL FOR ANCHORS TO BE EVALUATED ON A CASE SPECIFIC BASIS. BUILDING CODE, ANCHOR TYPE AND INSTALLATION CONDITIONS ALL IMPACT THE CAPACITY. FOR APPLICATIONS CERTIFIED BY KNC, THIS EVALUATION WILL BE PERFORMED BY KNC. FOR APPLICATIONS CERTIFIED BY OTHERS, IT IS RECOMMENDED THAT THE DESIGNER USE THE APPROPRIATE ANCHOR MANUFACTURER'S ANALYSIS SOFTWARE.

WITH THE USE OF CONCRETE ANCHORS AND AN APPROPRIATE OVERSIZED BASEPLATE, THE MAXIMUM RESTRAINT RATING OF THIS ISOLATOR CAN BE INCREASED AS HIGH AS THE LEVEL FOR WELDED/BOLTED CONNECTIONS INDICATED ON THIS CURVE.

(4) BOLTS OR WELDED  
MAX HOR-3500, MAX VER-4750,  
COMBINED-2450 (LB)



Drawing No: S-01.30-22B

By: PWM  
Date: 04/17/13  
Revised: 11/16/15 / JW

Model: TITAN (B)  
2-200/3950

KINETICS NOISE CONTROL, INC  
6300 IRELAN PL,  
DUBLIN, OH 43017 USA  
Ph: 614 889-0480, Fax: 614 889-0540  
www.kineticsnoise.com

