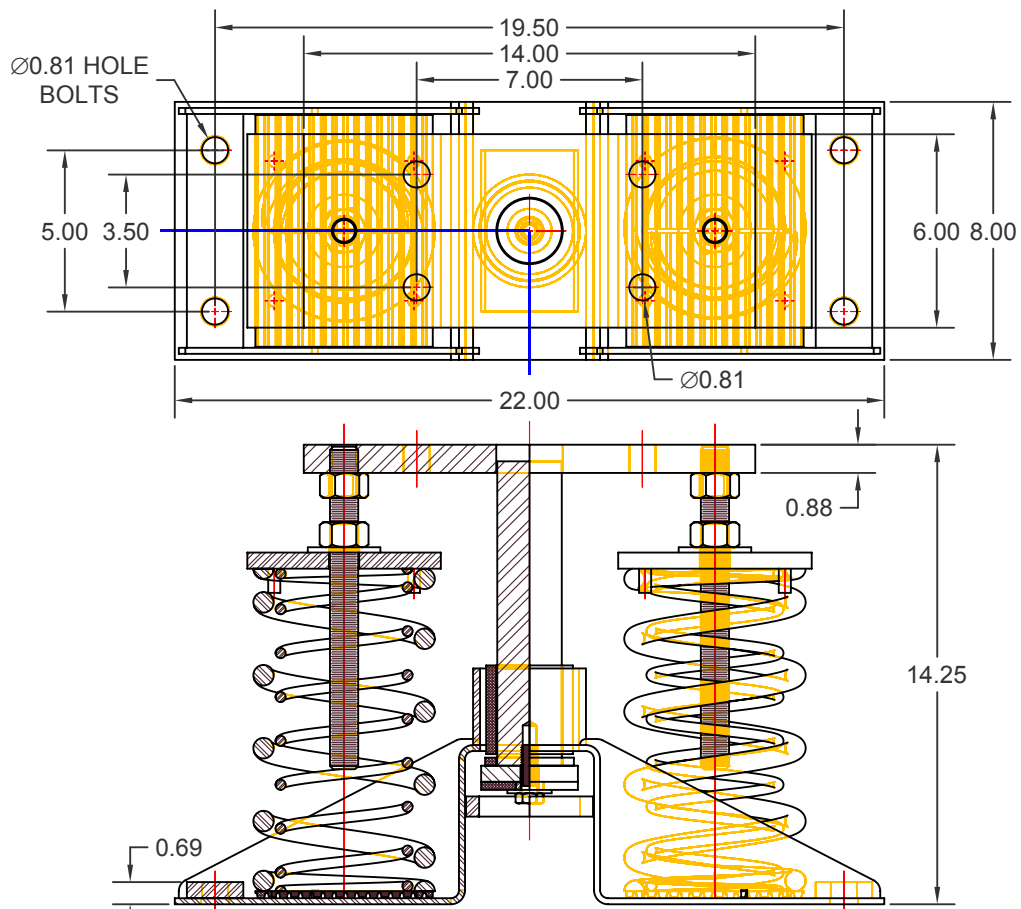


MODEL	SPRING					
	COLOR		FREE		RATED	
	OUTER	INNER	HT.	O.D.	LOAD	DEFL.
TITAN (B) 4-200	GRAY		10.00	5.63	200	4.00
TITAN (B) 4-500	BLUE		10.00	5.63	500	4.00
TITAN (B) 4-750	BLUE	BEIGE	10.00	5.63	750	4.00
TITAN (B) 4-1000	GREEN		10.00	5.63	1000	4.00
TITAN (B) 4-1250	GREEN	BEIGE	10.00	5.63	1250	4.00
TITAN (B) 4-1500	BLACK		10.00	5.63	1500	4.00
TITAN (B) 4-1750	BLACK	BEIGE	10.00	5.63	1750	4.00
TITAN (B) 4-2000	RED		10.00	5.63	2000	4.00
TITAN (B) 4-2250	RED	BEIGE	10.00	5.63	2250	4.00
TITAN (B) 4-2500	BROWN		10.00	5.63	2500	4.00
TITAN (B) 4-2750	BROWN	BEIGE	10.00	5.63	2750	4.00
TITAN (B) 4-3200	ORANGE		10.00	5.63	3200	4.00
TITAN (B) 4-3450	ORANGE	BEIGE	10.00	5.63	3450	4.00



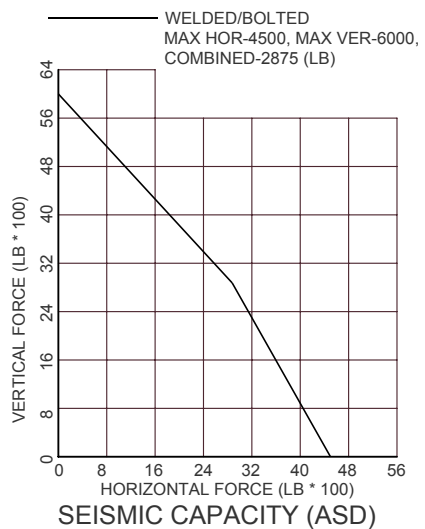
**SPECIFICATIONS**

- \* VERTICALLY AND Laterally RESTRAINED SPRING ISOLATOR.
- \* CONSTANT FREE AND OPERATING HEIGHT.
- \* FIELD REPLACEABLE RUBBER ELEMENTS.
- \* MIN OVERLOAD OF 50%.
- \* MIN K<sub>x</sub>/K<sub>y</sub> RATIO OF 1.0.
- \* ALL ELEMENTS SAFE AT SOLID LOADING.
- \* POWDER COATED SPRING COILS.
- \* HOUSINGS ARE HOT DIP GALVANIZED.
- \* HARDWARE IS ZINC PLATED.
- \* TOTAL COMBINED LATERAL AND VERTICAL MOVEMENT IS LIMITED TO 1/2" (1/4" IN ANY DIRECTION).

**NOTE:**

CURRENT CODE REQUIREMENTS CALL FOR ANCHORS TO BE EVALUATED ON A CASE SPECIFIC BASIS. BUILDING CODE, ANCHOR TYPE AND INSTALLATION CONDITIONS ALL IMPACT THE CAPACITY. FOR APPLICATIONS CERTIFIED BY KNC, THIS EVALUATION WILL BE PERFORMED BY KNC. FOR APPLICATIONS CERTIFIED BY OTHERS, IT IS RECOMMENDED THAT THE DESIGNER USE THE APPROPRIATE ANCHOR MANUFACTURER'S ANALYSIS SOFTWARE.

WITH THE USE OF CONCRETE ANCHORS AND AN APPROPRIATE OVERSIZED BASEPLATE, THE MAXIMUM RESTRAINT RATING OF THIS ISOLATOR CAN BE INCREASED AS HIGH AS THE LEVEL FOR WELDED/BOLTED CONNECTIONS INDICATED ON THIS CURVE.



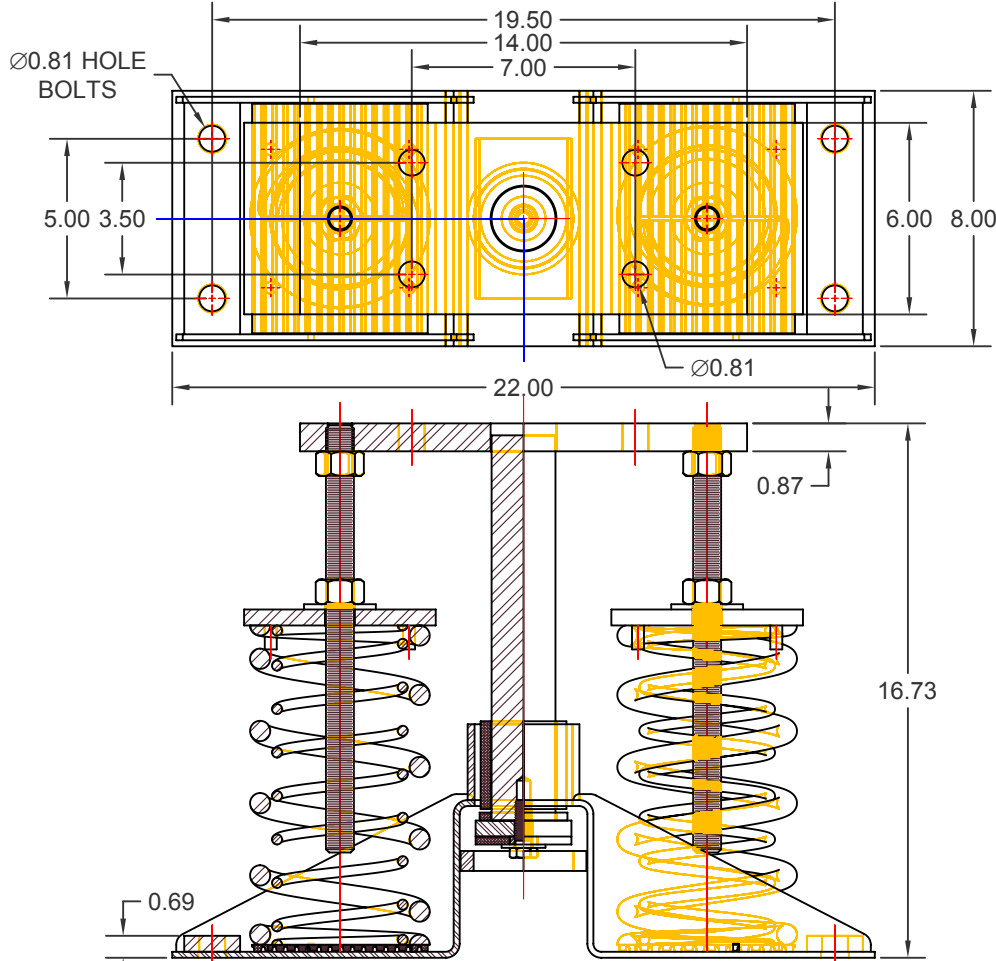
Drawing No: S-01.30-41B  
 By: PWM  
 Date: 04/17/13  
 Revised: 11/16/15 / JW

Model: TITAN (B) 4-200/3450

KINETICS NOISE CONTROL, INC  
 6300 IRELAN PL,  
 DUBLIN, OH 43017 USA  
 Ph: 614 889-0480, Fax: 614 889-0540  
 www.kineticsnoise.com



MODEL	SPRING					
	COLOR		FREE		RATED	
	OUTER	INNER	HT.	O.D.	LOAD	DEFL.
TITAN (BT) 4-200	GRAY		10.00	5.63	200	4.00
TITAN (BT) 4-500	BLUE		10.00	5.63	500	4.00
TITAN (BT) 4-750	BLUE	BEIGE	10.00	5.63	750	4.00
TITAN (BT) 4-1000	GREEN		10.00	5.63	1000	4.00
TITAN (BT) 4-1250	GREEN	BEIGE	10.00	5.63	1250	4.00
TITAN (BT) 4-1500	BLACK		10.00	5.63	1500	4.00
TITAN (BT) 4-1750	BLACK	BEIGE	10.00	5.63	1750	4.00
TITAN (BT) 4-2000	RED		10.00	5.63	2000	4.00
TITAN (BT) 4-2250	RED	BEIGE	10.00	5.63	2250	4.00
TITAN (BT) 4-2500	BROWN		10.00	5.63	2500	4.00
TITAN (BT) 4-2750	BROWN	BEIGE	10.00	5.63	2750	4.00
TITAN (BT) 4-3200	ORANGE		10.00	5.63	3200	4.00
TITAN (BT) 4-3450	ORANGE	BEIGE	10.00	5.63	3450	4.00



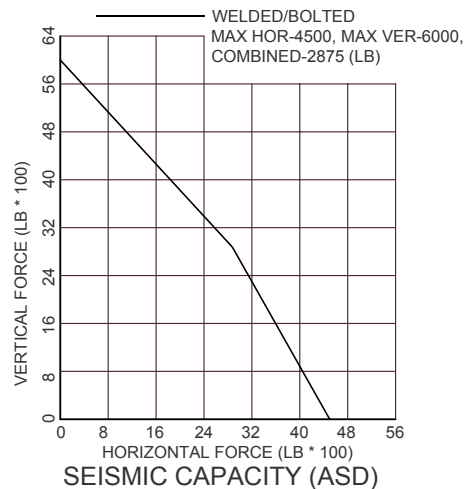
**SPECIFICATIONS**

- \* VERTICALLY AND Laterally RESTRAINED SPRING ISOLATOR.
- \* CONSTANT FREE AND OPERATING HEIGHT.
- \* FIELD REPLACEABLE RUBBER ELEMENTS.
- \* MIN OVERLOAD OF 50%.
- \* MIN K<sub>x</sub>/k<sub>y</sub> RATIO OF 1.0.
- \* ALL ELEMENTS SAFE AT SOLID LOADING.
- \* POWDER COATED SPRING COILS.
- \* HOUSINGS ARE HOT DIP GALVANIZED.
- \* HARDWARE IS ZINC PLATED.
- \* TOTAL COMBINED LATERAL AND VERTICAL MOVEMENT IS LIMITED TO 1/2" (1/4" IN ANY DIRECTION).

**NOTE:**

CURRENT CODE REQUIREMENTS CALL FOR ANCHORS TO BE EVALUATED ON A CASE SPECIFIC BASIS. BUILDING CODE, ANCHOR TYPE AND INSTALLATION CONDITIONS ALL IMPACT THE CAPACITY. FOR APPLICATIONS CERTIFIED BY KNC, THIS EVALUATION WILL BE PERFORMED BY KNC. FOR APPLICATIONS CERTIFIED BY OTHERS, IT IS RECOMMENDED THAT THE DESIGNER USE THE APPROPRIATE ANCHOR MANUFACTURER'S ANALYSIS SOFTWARE.

WITH THE USE OF CONCRETE ANCHORS AND AN APPROPRIATE OVERSIZED BASEPLATE, THE MAXIMUM RESTRAINT RATING OF THIS ISOLATOR CAN BE INCREASED AS HIGH AS THE LEVEL FOR WELDED/BOLTED CONNECTIONS INDICATED ON THIS CURVE.



By: PWM  
Date: 04/17/13  
Revised: 11/16/15 / JW

Drawing No: S-01.30-41BT

Model: TITAN (BT) 4-200/3450

KINETICS NOISE CONTROL, INC  
6300 IRELAN PL,  
DUBLIN, OH 43017 USA  
Ph: 614 889-0480, Fax: 614 889-0540  
www.kineticsnoise.com

Member  
**V/SCMA**  
Vibration Isolation and Seismic Control Manufacturers Association

**KINETICS**  
Noise Control