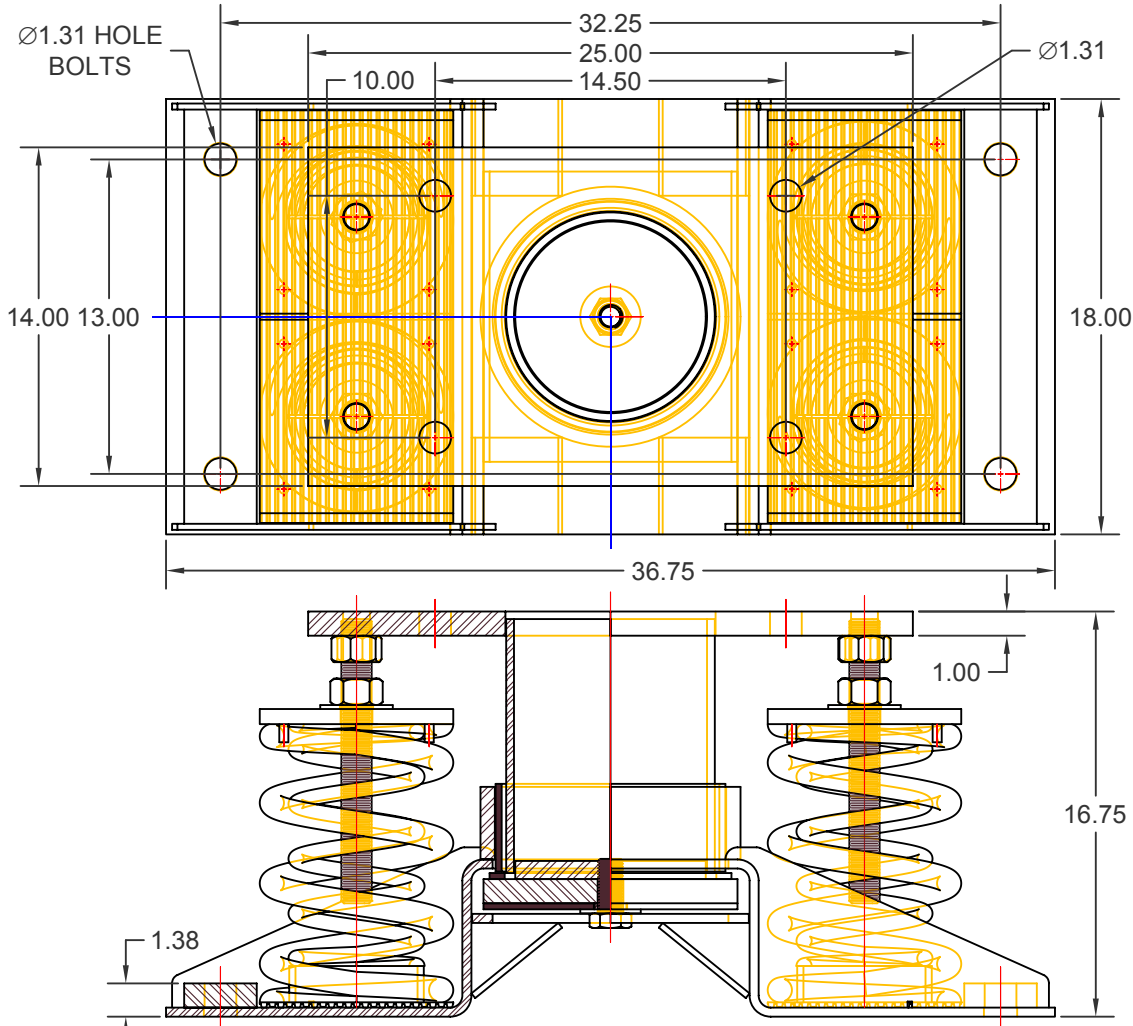


MODEL	SPRING					
	COLOR		FREE		RATED	
	OUTER	INNER	HT.	O.D.	LOAD	DEFL.
TITAN (C) 4-12000	BEIGE	BLACK	11.50	8.00	12000	4.00
TITAN (C) 4-13000	BEIGE	RED	11.50	8.00	13000	4.00
TITAN (C) 4-14000	BEIGE	BROWN	11.50	8.00	14000	4.00
TITAN (C) 4-15400	BEIGE	ORANGE	11.50	8.00	15400	4.00
TITAN (C) 4-16800	CHROME		11.50	8.00	16800	4.00
TITAN (C) 4-17800	CHROME	BLUE	11.50	8.00	17800	4.00
TITAN (C) 4-18800	CHROME	GREEN	11.50	8.00	18800	4.00
TITAN (C) 4-19800	CHROME	BLACK	11.50	8.00	19800	4.00
TITAN (C) 4-20800	CHROME	RED	11.50	8.00	20800	4.00
TITAN (C) 4-21800	CHROME	BROWN	11.50	8.00	21800	4.00
TITAN (C) 4-23200	CHROME	ORANGE	11.50	8.00	23200	4.00



**SPECIFICATIONS**

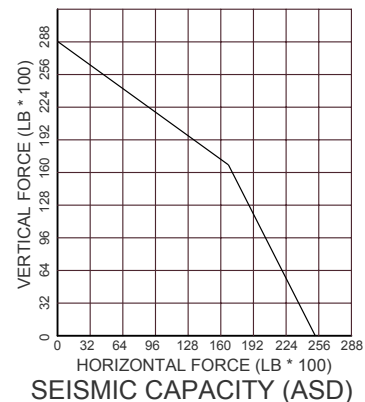
- \* VERTICALLY AND Laterally RESTRAINED SPRING ISOLATOR.
- \* CONSTANT FREE AND OPERATING HEIGHT.
- \* FIELD REPLACEABLE RUBBER ELEMENTS.
- \* MIN OVERLOAD OF 50%.
- \* MIN Kx/KY RATIO OF 1.0.
- \* ALL ELEMENTS SAFE AT SOLID LOADING.
- \* POWDER COATED SPRING COILS.
- \* HOUSINGS ARE HOT DIP GALVANIZED.
- \* HARDWARE IS ZINC PLATED.
- \* TOTAL COMBINED LATERAL AND VERTICAL MOVEMENT IS LIMITED TO 1/2" (1/4" IN ANY DIRECTION).

**NOTE:**

CURRENT CODE REQUIREMENTS CALL FOR ANCHORS TO BE EVALUATED ON A CASE SPECIFIC BASIS. BUILDING CODE, ANCHOR TYPE AND INSTALLATION CONDITIONS ALL IMPACT THE CAPACITY. FOR APPLICATIONS CERTIFIED BY KNC, THIS EVALUATION WILL BE PERFORMED BY KNC. FOR APPLICATIONS CERTIFIED BY OTHERS, IT IS RECOMMENDED THAT THE DESIGNER USE THE APPROPRIATE ANCHOR MANUFACTURER'S ANALYSIS SOFTWARE.

WITH THE USE OF CONCRETE ANCHORS AND AN APPROPRIATE OVERSIZED BASEPLATE, THE MAXIMUM RESTRAINT RATING OF THIS ISOLATOR CAN BE INCREASED AS HIGH AS THE LEVEL FOR WELDED/BOLTED CONNECTIONS INDICATED ON THIS CURVE.

(4) BOLTS OR WELDED  
MAX HOR-25260, MAX VER-28850,  
COMBINED-16750 (LB)



Drawing No: S-01.30-43C

By: PWM

Date: 04/17/13

Revised: 11/16/15 / JW

Model: TITAN (C)  
4-12000/23000

KINETICS NOISE CONTROL, INC  
6300 IRELAN PL,  
DUBLIN, OH 43017 USA  
Ph: 614 889-0480, Fax: 614 889-0540  
www.kineticsnoise.com

