

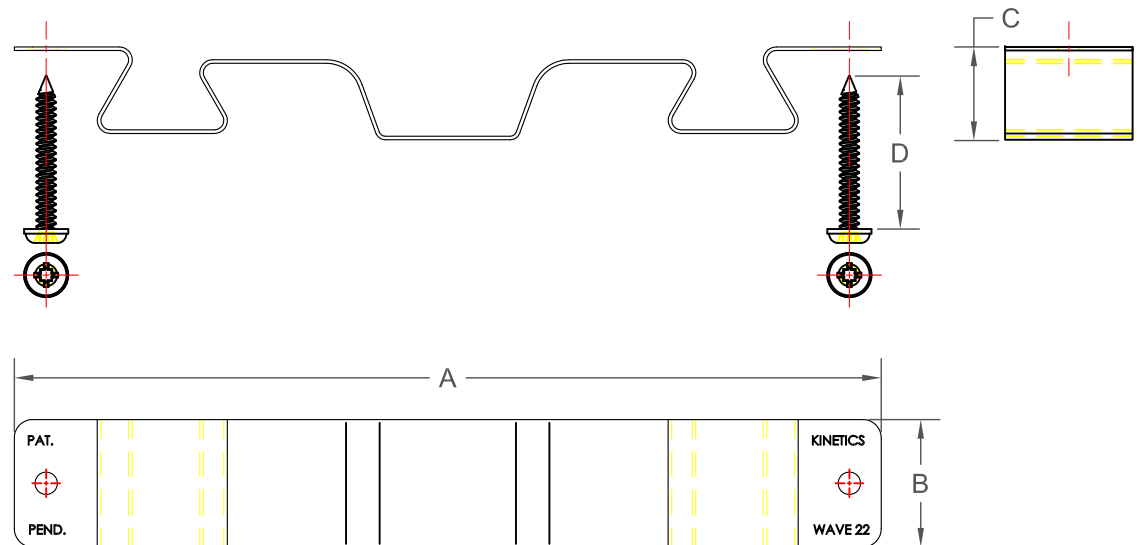
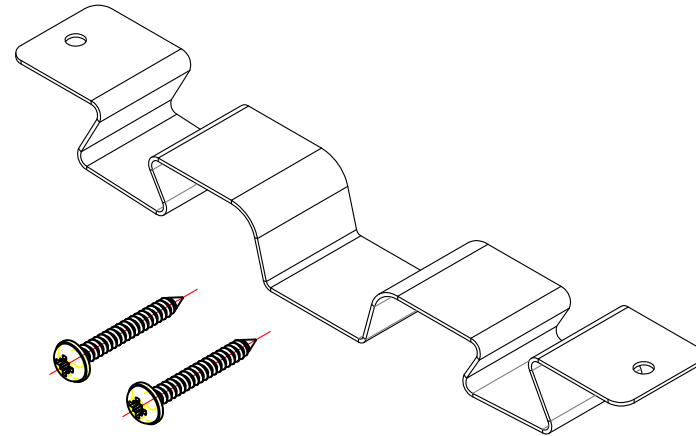
## WAVE 22 CEILING HANGER

IP UNITS (INCHES & POUNDS)

TYPE	A	B	C	D
WAVE 22	8.50	1.25	0.91	1.50
WAVE 44	8.50	1.25	0.92	1.50

### STANDARD RATINGS

TYPE	SIZE	FINISH	ISOLATOR		RECOMMENDED LAYERS OF DRYWALL
			LOAD	DEFL.	
WAVE	22	ZINC	22	0.44	2
WAVE	44	BLACK PHOSPHORUS	44	0.44	2



### SPECIFICATIONS:

- HANGER FOR INSTALLATION ON WOOD ONLY.
- HANGER BRACKETS WILL SUPPORT 50% OVERLOAD BEFORE YIELD.
- HANGER BRACKETS WILL CARRY (5) TIMES OVERLOAD WITHOUT ULTIMATE FAILURE.



KINETICS NOISE CONTROL, INC  
6300 IRELAN PL,  
DUBLIN, OH 43017 USA  
Ph: 614 889-0480, Fax: 614 889-0540  
www.kineticsnoise.com

Model:  
**WAVE  
HANGER**

By: BB  
Date: 11/10/10  
Revised: 11/09/11 / BB

Drawing No:  
**S-03.60-1A**