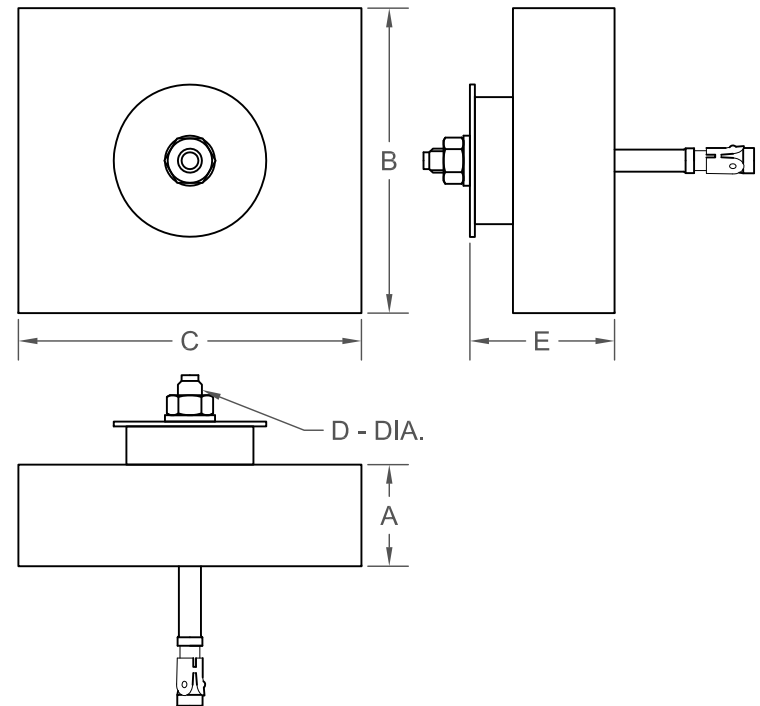
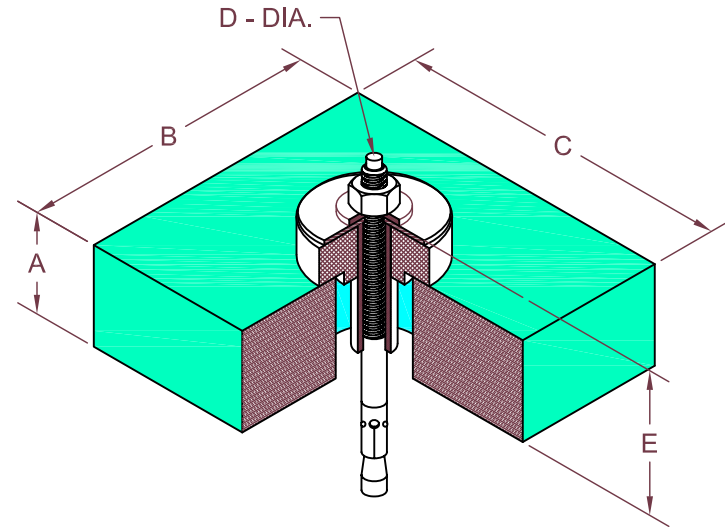


# KSM PARTITION ISOLATOR

SI UNITS (mm AND kg)

MODEL	MAX. CAPACITY	DIMENSION				
		A	B	C	D	E
KSM-338	215	25	76	86	6	37
KSM-450	293	25	76	114	6	37



- ISOLATION MATERIAL IS PRECOMPRESSED FIBERGLASS.
- FIBERGLASS PAD IS ELASTOMERICALLY COATED.
- HARDWARE COMPONENTS ARE BRIGHT ZINC PLATED.
- INTERNAL SPACER IS BRONZE.
- KSM ISOLATORS ARE TYPICALLY SPACED 16" (406) ON CENTER.
- INCLUDES 1/4" (6) N.C. x 3 1/2" (89) LONG CONCRETE ANCHOR.



KINETICS NOISE CONTROL, INC  
6300 IRELAN PL.,  
DUBLIN, OH 43017 USA  
Ph: 614 889-0480, Fax: 614 889-0540  
www.kineticsnoise.com

Model:  
KSM

By: BB  
Date: 08/17/11  
Revised: 10/27/11 / BB

Drawing No:  
S-11.30-1A  
METRIC