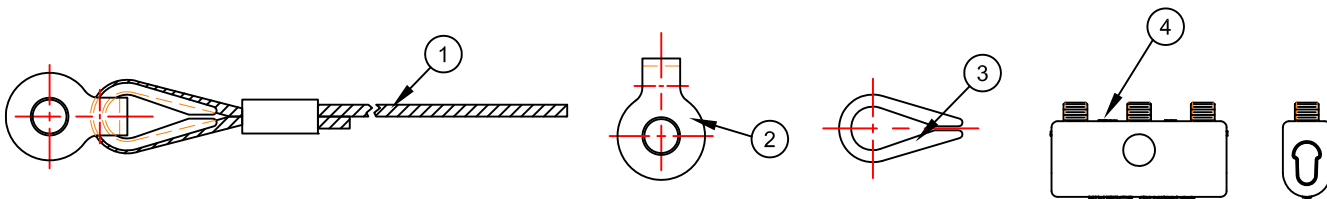


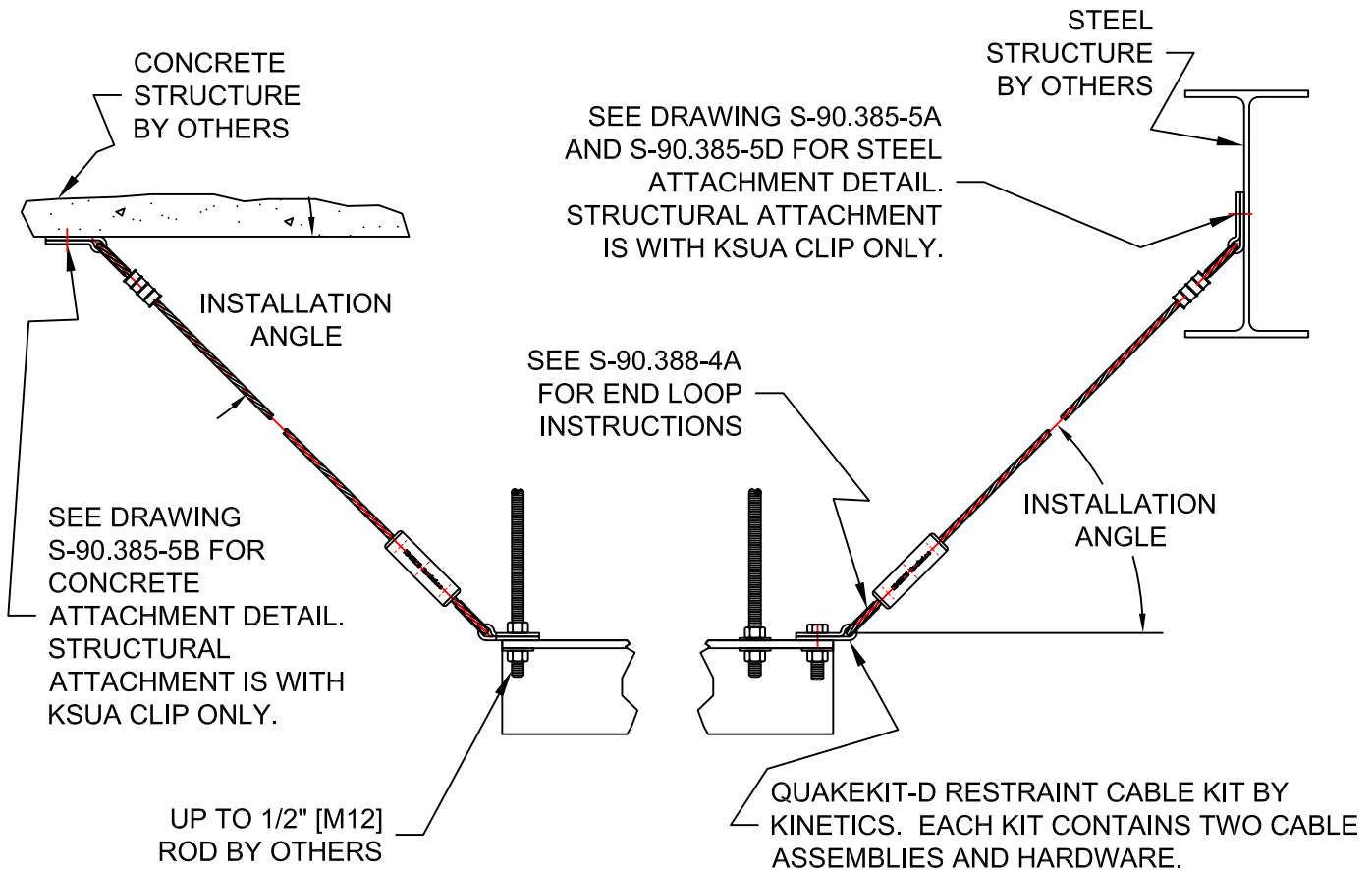
# QUAKEKIT-D CABLE RESTRAINT



MK	QTY	DESCRIPTION
1	2	CABLE WITH SWAGED END LOOP
2	2	KSUA-2 CABLE ATTACHMENT BRACKET
3	2	WIRE ROPE THIMBLE
4	2	QUAKELOC

**NOTE:**

FOR CABLE RESTRAINT CAPACITIES SEE DWGS S-90.405-2A - D.



FOR WOODEN STRUCTURES, SEE DRAWING S-90.385-5C FOR LAG SCREW ATTACHMENT DETAIL.

THIS COMPONENT IS SUITABLE FOR SEIMIC APPLICATIONS SUBJECT TO THE QUALIFICATIONS INDICATED ON THIS DRAWING.



LAST DATE  
REVISED  
09/16/11

DRAWN BY  
DCB

DRAWING NO.  
S-90.405-1B

S-90