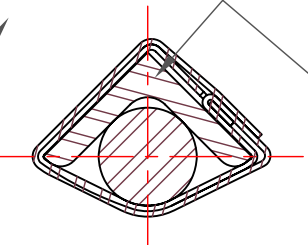


**STEP 1:**

POSITION BRACE ANGLE ON CLEVIS HANGER BOLT. WRAP BRACE ANGLE STRAP AROUND ANGLE & BOLT. THREAD STRAP THROUGH SLOT, PULL TIGHT, AND BEND AS SHOWN ABOVE.

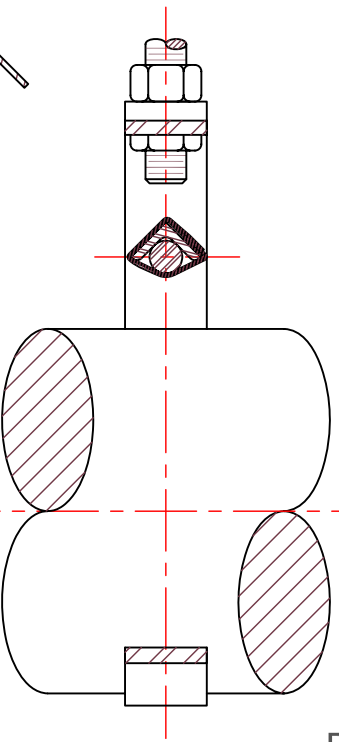
KCHB BRACE ANGLE STRAP (2) PER KIT BY KINETICS.



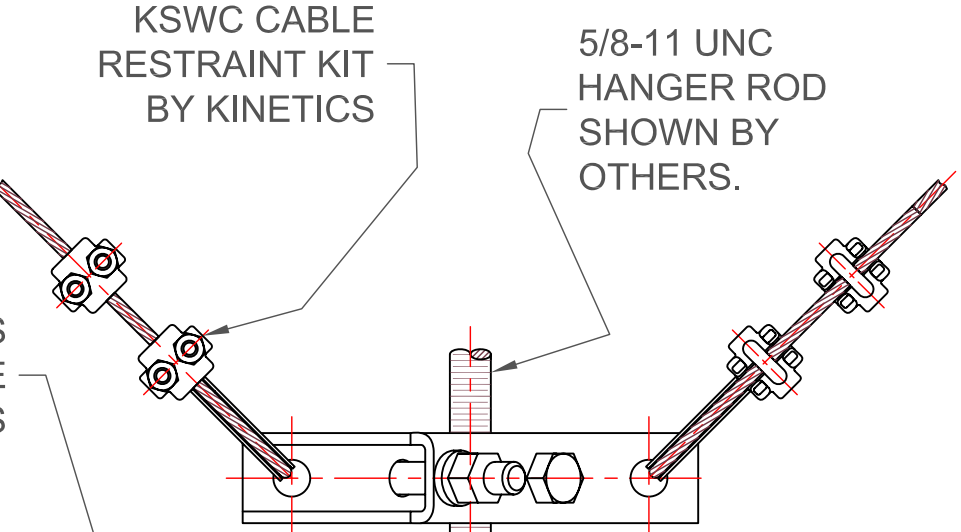
**STEP 2:**

WRAP EXCESS ANGLE BRACE STRAP AROUND ANGLE & BOLT AS SHOWN ABOVE.

KCHB BRACE ANGLE (1) PER KIT BY KINETICS.

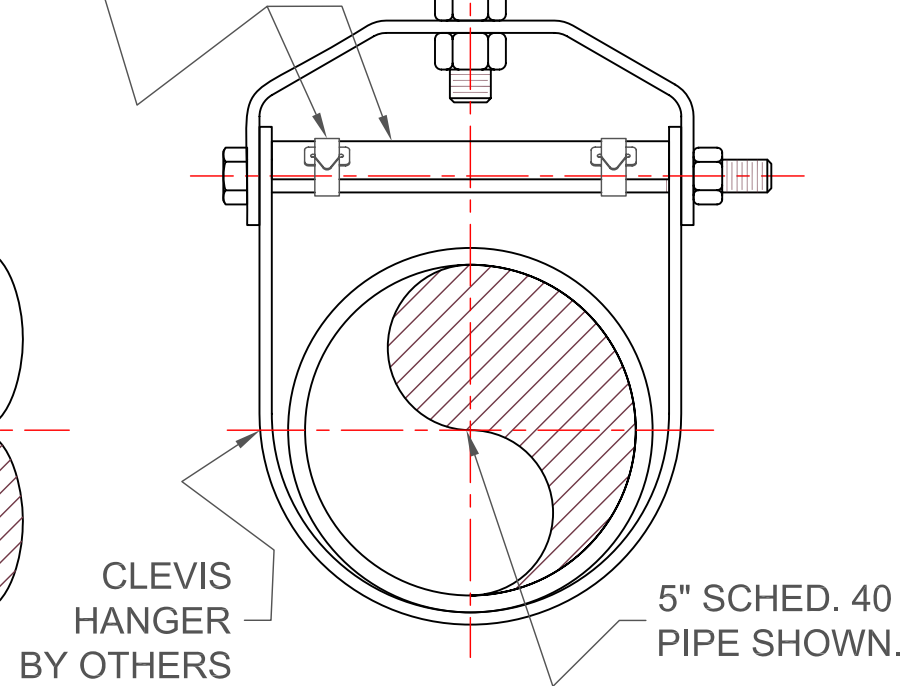


KCHB CLEVIS HANGER BRACE KIT BY KINETICS



KSWC CABLE RESTRAINT KIT BY KINETICS

5/8-11 UNC HANGER ROD SHOWN BY OTHERS.



CLEVIS HANGER BY OTHERS

5" SCHED. 40 PIPE SHOWN.

THIS COMPONENT IS SUITABLE FOR SEISMIC APPLICATIONS SUBJECT TO THE QUALIFICATIONS INDICATED ON THIS DRAWING

	TITLE	DATE	REVISED BY	DRAWING NO.
	KCHB CLEVIS HANGER BRACE INSTALLATION	02/03/04	TEF	S-90.600-1B