

AF ISOLATION HANGER

IP UNITS (INCHES AND POUNDS)

TYPE	A	B	C	ØD
AF-100/200	2.19	4.75	0.50	0.27

STANDARD RATINGS

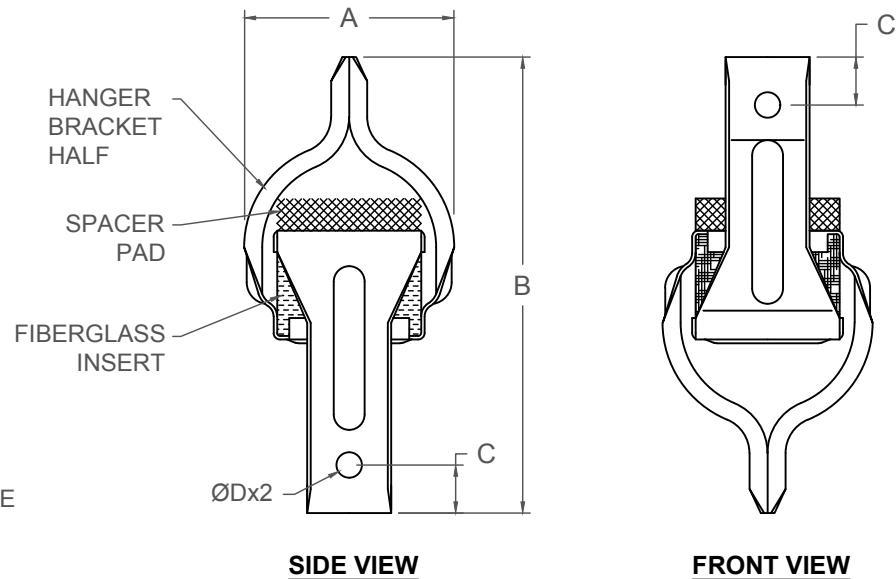
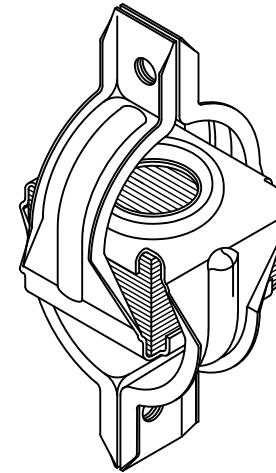
TYPE	LOAD	DEFL.
AF 100	20-100	0.28
AF 200	50-200	0.19

SI UNITS (mm AND kg)

TYPE	A	B	C	D
AF-100/200	56	121	13	7

STANDARD RATINGS

TYPE	SIZE	RATED	
		LOAD	DEFL.
AF	100	45	7
AF	200	91	5



- ISOLATION HANGERS HAVE A TYPICAL OVERLOAD CAPACITY OF 50%.
- HANGER BRACKET WILL CARRY (5) TIMES OVERLOAD WITHOUT FAILURE
- ALL OTHER STEEL COMPONENTS ARE BRIGHT ZINC PLATED.
- AF HANGER BRACKET WILL ACCOMMODATE UP TO #9 SUSPENSION WIRE OR A 1/4" BOLT OR SCREW.

SCALE: HALF ACTUAL SIZE