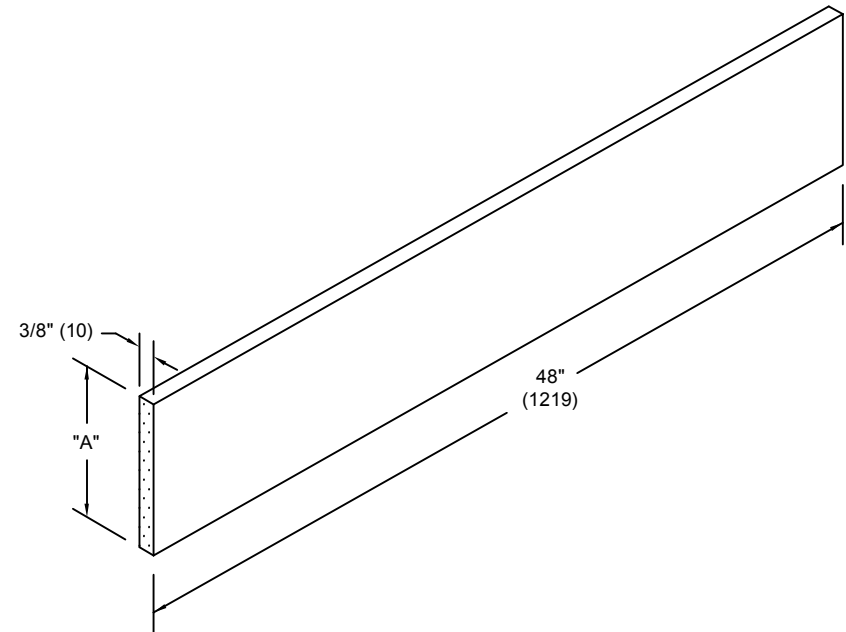


SRP - RESILIENT INTERFACE		
PROPERTY	VALUE	SPECIFICATION
COLOR	WHITE	
CELL STRUCTURE	CLOSED CELL, CROSSLINKED EXPANDED POLYETHYLENE	
DENSITY RANGE (LB/FT )	2.0 - 2.4	ASTM D3575-93
CELL SIZE (MM AVERAGE)	0.9	ASTM D3576 MODIFIED
COMPRESSIVE STRENGTH VERTICAL DIRECTION (PSI)	10.5 19.5	ASTM D3575-93 SUFFIX D @ 25% @ 50%
COMPRESSIVE SET (% ORIGINAL THICKNESS)	15%	ASTM D3575-93 SUFFIX B
COMPRESSIVE CREEP (% DEFLECTION)	<5% @ 2.0 PSI	ASTM D3575-93 SUFFIX BB (1000 HRS.)
TENSILE STRENGTH (PSI) (@ 1/2" THICKNESS)	42 35	ASTM D3575-93 SUFFIX T MD / CMD
TEAR RESISTANCE (LB/IN) (@ 1/2" THICKNESS)	13 11	ASTM D3575-93 SUFFIX G MD / CMD
WATER ABSORPTION (LB/FT )	<0.2	ASTM D3575-93 SUFFIX L
THERMAL RESISTANCE R-VALUE (HR-FT - F/BTU)	2.09 - 2.48	ASTM C518-91
THERMAL CONDUCTIVITY k-VALUE (BTU-IN/HR-FT - F)	0.40 - 0.48	ASTM C518-91
THERMAL STABILITY (% SHRINKAGE)	<5%	ASTM D3575-93 SUFFIX S

DIMENSION "A"	
(in)	(mm)
1.00	25
2.00	51
3.00	76
4.00	102
5.00	127



DIMENSION FORMAT: IN (mm)



SRP – RESILIENT INTERFACE:  
ENGINEERING PROPERTIES

Revised  
7/26/17

Drawing No.  
AA001907

[SRP](#)



LEED Analysis

## PIB/SRP Perimeter Board

### **Recycled Content**

This product does not contain significant recycled content.

### **Fabrication Location**

This product is manufactured in Dublin, OH 43017

### **Material Source**

The extraction points for the materials in this product cannot be verified. Assume they are outside of the 500 mile radius.



## SAFETY DATA SHEET

### ARTICLE STATEMENT

**Product names:**

**PPI**

**SRP**

This document is provided for clarification of the Safety Data Sheet that you have requested for our product(s). OSHA Hazard Communication Standard requires a SDS for hazardous chemicals; however, the standard exempts all articles from the requirement. The explanation of an article is described per OSHA definition below.

Pursuant to 29 CRF 1910.1200 (b) (6) (v) and (c), the product described herein is an “article” or is otherwise excluded from OSHA regulations requiring that a Material Safety Data Sheet be prepared for it.

An article defined: manufactured item other than a fluid or particle: *(i)* which is formed to a specific shape or design during manufacture; *(ii)* which has an end use function(s) dependent in whole or in part upon its shape or design during end use; and *(iii)* which does not release, or otherwise result in exposure to, a hazardous chemical under normal conditions of use.

For technical information and additional resources covering these products please refer to Kinetics Noise Control’s published literature, e.g., data sheets, product drawings, and installation guidelines at [www.kineticsnoise.com](http://www.kineticsnoise.com).

As of the date of this document, the foregoing information is believed to be accurate and is provided in good faith to comply with applicable federal and state laws. However, no warranty or representation of law or fact, with respect to such information, is intended or given.

TYPE	SILICONIZED ACRYLIC
SERVICE RANGE	-20° TO 185° F (-29° TO 85° C)
APPLICATION TEMPERATURE	40° TO 110° F (4° TO 43° C)
SHORE A HARDNESS AT 21 DAYS : (ASTM D-2240)	30 +/- 5
CURING	SKINNING - 10 MIN./FINAL SET - 48 HRS. (HUMIDITY DEPENDANT)
TACK-FREE TIME: (ASTM D-2377-84)	<25 MIN.
% VOLUME SHRINKAGE: (ASTM C-733-87)	24.9%
% NON-VOLATILE BY WEIGHT	80.9%
pH	7.8 - 8.2
WEATHER RESISTANCE: (ASTM C-732-82)	NO WASHOUT, DISCOLORATION, LOSS OF ADHESION OR CRACKING AFTER 500 HOURS OF WEATHERING
PEEL STRENGTH: POUND FOOT PER INCH	PINE 22 GLASS 23 ALUMINUM 15
LOW TEMPERATURE FLEXIBILITY: (ASTM C-734-82 )	NO CRACKING THROUGH TO SUBSTRATE OR ADHESION LOSS
EXTRUDABILITY AFTER PACKAGE AGING (FREEZE THAW STABILITY): (ASTM C-731-87) 2g/SEC. MIN.	12.3 GRAMS/SECOND
VOLATILE ORGANIC CONTENT (VOC MINUS WATER)	13.7 g/l (<1.5% WT.)
SHELF LIFE	12 MONTHS MINIMUM

COVERAGE	28 OZ. TUBE	BEAD SIZE	KNC PRODUCT APPLICATION
	67'	1/4" x 1/4"	CPT (CEILINGS), RWS (WALLS), PIS (ISOLAYMENT QT)
	45'	3/8" x 1/4"	SRP (WOOD FLOORS)
	10'	3/4" x 1/2"	PPI (CONCRETE FLOORS)

- \* MEETS ASTM C-920, CLASS 25 (+/- 25% JOINT MOVEMENT)
- \* MEETS ASTM C-834
- \* MEETS FEDERAL SPECIFICATION 230C CLASS A.
- \* VOC COMPLIANT

- \* PAINTABLE
- \* NON-YELLOWING
- \* PERMANENTLY RESILIENT
- \* COLOR: CONCRETE GREY
- \* MADE IN THE USA



TITLE  
ENGINEERING PROPERTIES FOR  
TRUEACOUSTIC SEALANT

LAST DATE  
REVISED  
9/20/17

REVISED BY  
CH

DRAWING NO.  
S-11.22-1B

S-11



LEED Analysis

## TrueAcoustic Sealant

### **MR Recycled Content**

This product does not contain pre-consumer recycled content. This product does not contain post-consumer recycled content. This product container is 100% recyclable.

### **MR Regional Materials**

Extraction points for materials in this product are multiple. Assume they are outside the 500 mile limit radius. Manufactured in Elizabethtown, KY 42701. Purchased in Dublin, OH 43017.

### **MR Rapidly Renewable Materials**

This product does not contain rapidly renewable material.

### **MR Certified Wood**

This product does not contain wood.

### **IEQ Low Emitting Materials**

This product's TVOC content is 13.7 g/l.

### **IEQ Acoustic Performance**

May qualify for credits regarding acoustic design and performance: Background Noise (dBA), Sound Isolation (STC), Speech Privacy (SPC), and/or Site External Noise (Ldn, dBA & L01, dBA)

V2.1



## SAFETY DATA SHEET

### SECTION 1 - CHEMICAL PRODUCT AND COMPANY IDENTIFICATION

**Product Names:** Kinetics Noise Control TrueAcoustic Sealant

**Generic Name:** Sealant

**Manufacturer:** Kinetics Noise Control

**Date Issued:** March 20, 2017

**Address:** 6300 Irelan PI

Dublin, Ohio 43017

**24 hr Phone:** 614-889-0480

### SECTION 2 - HAZARDS IDENTIFICATION

**GHS Classification**

Not a hazardous substance or mixture.

**GHS Label element**

Not a hazardous substance or mixture.

**Other hazards**

While this material is not considered hazardous by the OSHA Hazard Communication Standard (29 CFR 1910.1200), this SDS contains valuable information critical to the safe handling and proper use of the product. This SDS should be retained and available for employees and other users of this product.

### SECTION 3 COMPOSITION/INFORMATION ON INGREDIENTS

**Chemical nature**

N/A

**Hazardous components**

***Non-hazardous according to 29 CFR 1910.1200, when used as intended.***

***Relevant ingredients***

Chemical Name	CAS-No.	Concentration (%)
Sodium nitrate	7632-00-0	0.1% - Max
Dipropylene glycol dibenzoate	27138-31-4	1% - 5%
Titanium Dioxide	13463-67-7	1% - 5%
Distillates (petroleum), hydrotreated middle	64742-46-7	1% - 5%

### SECTION 4 - FIRST AID MEASURES

Inhalation	Remove to fresh air. If symptoms persist, obtain appropriate medical attention.
Skin Contact	Wash affected area with soap and water.
Eye Contact	Immediately flush with large amounts of water. If irritation occurs, seek medical attention.
Ingestion	No first aid should be needed.

### SECTION 5 - FIREFIGHTING MEASURES

Suitable Extinguishing Media

N/A

Unsuitable Extinguishing Media  
Special Fire Fighting Procedures

N/A

Non-flammable (aqueous emulsion). After water evaporates, remaining material will burn. Breathing apparatus required when fighting fires in enclosed areas.

Extinguishing Media  
Unusual Fire or

Alcohol Foam, Carbon Dioxide, Dry Chemical, Foam, Water Fog  
Product will not burn, but may splatter if temperature exceeds boiling point of water. Dried solids can burn, giving off oxides of carbon.

## SECTION 6 - ACCIDENTAL RELEASE MEASURES

Steps to be taken in case of spill or release:

Determine whether to evacuate or isolate the area according to your local emergency plan. Observe all personal protection equipment recommendations described in Sections 5 and 8. For large spills, provide diking or other appropriate containment to keep material from spreading. If diked material can be pumped, store recovered material in appropriate container. For small spills, wipe up or scrape up and contain for salvage or disposal. Clean area as appropriate since spilled material, even in small quantities, may present a slip hazard. Final cleaning may require the use of steam, solvents or detergents. Dispose of saturated absorbent or cleaning materials appropriately, since spontaneous heating may occur. Local, state and federal laws and regulations may apply to releases and disposal of this material, as well as those materials and items employed in the cleanup of releases. You will need to determine which federal, state and local laws and regulations are applicable. Sections 13 and 15 of this MSDS provide information regarding certain federal and state requirements.

## SECTION 7 - HANDLING AND STORAGE

Handling

Avoid breathing vapors in top of shipping container. Keep container closed. Use with adequate ventilation. Avoid contact with skin and clothing. Wash thoroughly after handling.

Storage

Store in a cool dry place. Protect from freezing and excessive heat.

## SECTION 8 - EXPOSURE CONTROLS/PERSONAL PROTECTION

Components	ACGIH TLV	OSHA PEL	STEL
Sodium Nitrate	N/A	N/A	N/A
Dipropylene glycol dibenzoate	N/A	N/A	N/A
Titanium Dioxide	10 mg/m3	15 mg/m3	N/A
Distillates (petroleum), hydrotreated middle	5 mg/m3	5 mg/m3	10 mg/m3

Personal Protective Equipment Engineering Controls	N/A Local Ventilation: Recommended General Ventilation: Recommended
Eye Protection	Chemical goggles if liquid contact is likely, or safety glasses with side shields.
Skin Protection	Wash at mealtimes and end of shift. Contaminated clothing and shoes should be removed as soon as practical and thoroughly cleaned before reuse. Chemical protective gloves are recommended. Suitable Gloves: Silver Shield™ 4H™
Respiratory Protection	Use respiratory protection unless adequate exhaust ventilation is provided or exposure assessment demonstrates that exposures are within exposure guidelines. Industrial Hygiene Personnel can assist in judging the adequacy of existing engineering controls. Suitable Respirator: General and local exhaust ventilation is recommended to maintain vapor exposures below recommended limits. Where concentrations are above recommended limits as determined by air sampling or are unknown, appropriate respiratory protection should be worn. Follow OSHA Respirator Regulations (29 CFR 1910.134) and use NIOSH/MSHA approved respirators.
Ventilation	Local exhaust ventilation is recommended to maintain vapor level below TLV.
Note	These precautions are for room temperature handling. Use at elevated temperatures or aerosol/spray applications may require added precautions. For further information regarding aerosol inhalation toxicity, please refer to the guidance document regarding the use of silicone-based materials in aerosol applications that has been developed by the silicone industry ( <a href="http://www.SEHSC.com">www.SEHSC.com</a> ).

## SECTION 9 - PHYSICAL AND CHEMICAL PROPERTIES

Physical State	Paste
Color	See product label
Odor	Slight
Odor Threshold	N/A
Solubility	Dilutable in wet stage
Partition coefficient	N/A
Water/octanol	N/A
Viscosity	N/A
Specific Gravity	1.56
Density lbs/Gal	N/A
Pounds per Cubic Foot	N/A
Flash Point	Not determined
FP Method	N/A
Ph	7.85
Melting Point	0C
Boiling Point	100C
Boiling Range	N/A
LEL	N/A
UEL	N/A
Evaporation Rate	Slower than n-Butyl acetate
Flammability	N/A
Decomposition Temperature	N/A
Auto-ignition Temperature	N/A
Vapor Pressure	Not determined
Vapor Density	Lighter than air

Note: The above information is not intended for use in preparing product specifications. Contact Kinetics Noise Control before writing specifications.



## SECTION 10 – STABILITY AND REACTIVITY

Chemical Stability	Stable
Hazardous Polymerization	Will not occur
Conditions to Avoid	None known
Materials to Avoid / Incompatibility	None known

## SECTION 11 – TOXICOLOGICAL INFORMATION

Special Hazard Information on Components	No known applicable information.
Component Toxicology Information	No known applicable information.

## SECTION 12 ECOLOGICAL INFORMATION

Environmental Effects	Complete information is not yet available.
Environmental Fate and Distribution	Complete information is not yet available.
Fate and Effects in Waste Water Treatment Plants	Complete information is not yet available.

## SECTION 13 - DISPOSAL CONSIDERATIONS

Waste Disposal Method	We make no guarantee or warranty of any kind that the use or disposal of this product complies with all local, state, or federal laws. It is also the obligation of each user of the product mentioned herein to determine and comply with the requirements of all applicable statutes. This product is not known to be regulated under RCRA regulations. Disposal of unused portions of this product and process waste containing this product should be done only after a careful evaluation and in compliance with all federal, local and state laws.
-----------------------	--

## SECTION 14 - TRANSPORTATION INFORMATION

UN Number	N/A
UN Proper Shipping Name	N/A
DOT Classification	N/A
Packing Group	N/A
Ocean Shipment (IMDG) Road Shipment Information (DOT)	Not subject to IMDG code.
Air Shipment (IATA)	Not subject to DOT regulations. Not subject to IATA regulations.

## SECTION 15 - REGULATORY INFORMATION

The contents of this SDS comply with the OSHA Hazard Communication Standard 29 CFR 1910.1200.

TSCA Status	All chemical substances found in this product comply with the Toxic Substances Control Act inventory reporting requirements.
SARA Title III Section 302 Extremely Hazardous Substances	None
SARA Title III Section 304 CERCLA Substances dangerous uses	None
SARA Title III Section 312 Hazard Class	Acute: Yes Chronic: No Fire: No Pressure: No Reactive: No
SARA Title III Section 313 Toxic Chemicals	None present or none present in regulated quantities.
California Proposition 65	This product contains the following chemical(s) listed by the State of California under the Safe Drinking Water and Toxic Enforcement Act of 1986 (Proposition 65) as being known to cause cancer, birth defects or other reproductive harm: None known

<b>SECTION 16 – OTHER INFORMATION</b>
---------------------------------------

Revision Date	3/20/2017
Disclaimer	The data contained herein is based upon information that Kinetics Noise Control believes to be reliable. Users of this product have the responsibility to determine that suitability of use and to adopt all necessary precautions to ensure the safety and protection of property and persons involved in said use. All statements or suggestions are made without warranty, expressed or implied, regarding the accuracy of the information, the hazards connected with the use of the material or the results to be obtained from the use thereof.