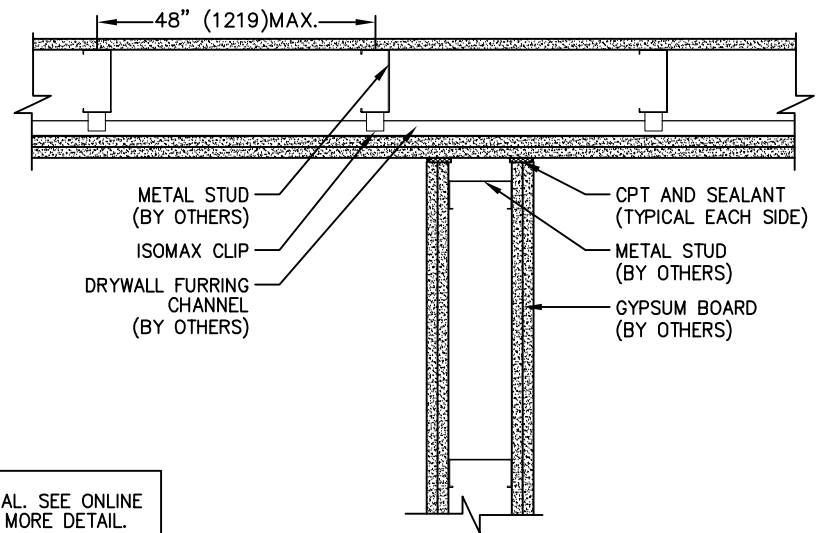
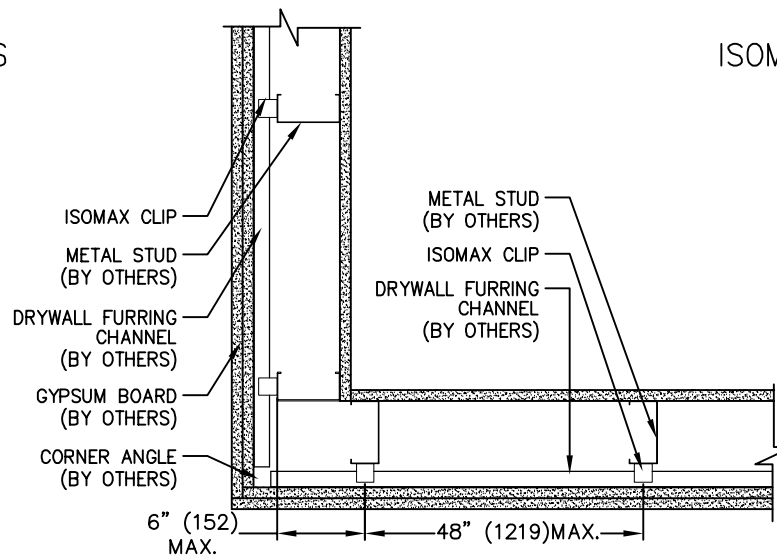


PLAN VIEW  
INTERSECTION AT  
TWO ISOMAX WALLS



PLAN VIEW  
INTERSECTION AT  
ISOMAX & NON-ISOMAX WALL

DIMENSIONS SHOWN ARE TYPICAL. SEE ONLINE  
INSTALLATION GUIDELINES FOR MORE DETAIL.



PLAN VIEW  
CORNER INTERSECTION

DIMENSION FORMAT: IN (mm)

REFER TO DRAWINGS AA001805, 06, 07 FOR  
SECTIONS / AA001829 ELEVATION VIEWS



TITLE  
ISOMAX CLIPS  
PLAN VIEW  
TYPICAL WALL INTERSECTIONS

LAST DATE  
REVISED  
01/09/14

REVISED BY  
TJM

DRAWING NO.  
AA001808

AA