

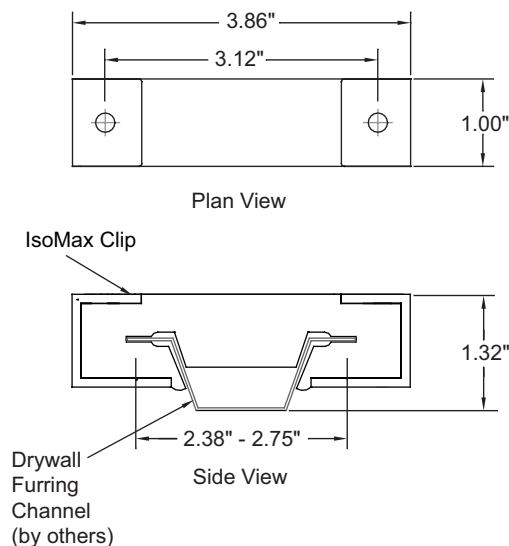
IsoMax™

Sound Isolation Clips for Walls and Ceilings

Patent No. 7,093,814



IsoMax™ Detail



Low Cost, Space Saving Walls and Ceilings

Designers wanting low-cost, space-saving ceilings and walls that provide superior noise control employ **KINETICS™** IsoMax™ sound isolation clips. Offering significantly higher STC values than drywall attached to resilient channel, IsoMax™ ensures that installers will not inadvertently screw through the “resilient” leg of the channel into the joist or stud. This feature cannot be underestimated given the frequent, unknown occurrences where resilient channel is accidentally rendered ineffective because it is hard-attached.

The IsoMax™ Advantage

- Low cost for high performance
- Flexible “snap-on” clips install quickly, and allow for height adjustments during installation of channel
- Error free installation of standard drywall furring channel. Eliminates accidental short circuiting common with resilient channel
- Easiest method for STC 55+ stud wall assemblies
- Can easily accommodate furring channel widths from 2.38" - 2.75"

UL Fire Rated Assemblies

Design No. L583

Floor/Ceiling Assembly **allows the broadest range of joist or truss assemblies** including: engineered “I” joists, wood and steel trusses, 2 x 10 sawn wood joists, and parallel chord trusses. Allows fiberglass or mineral wool insulation with two (2) layers of gypsum wallboard.

Ceilings

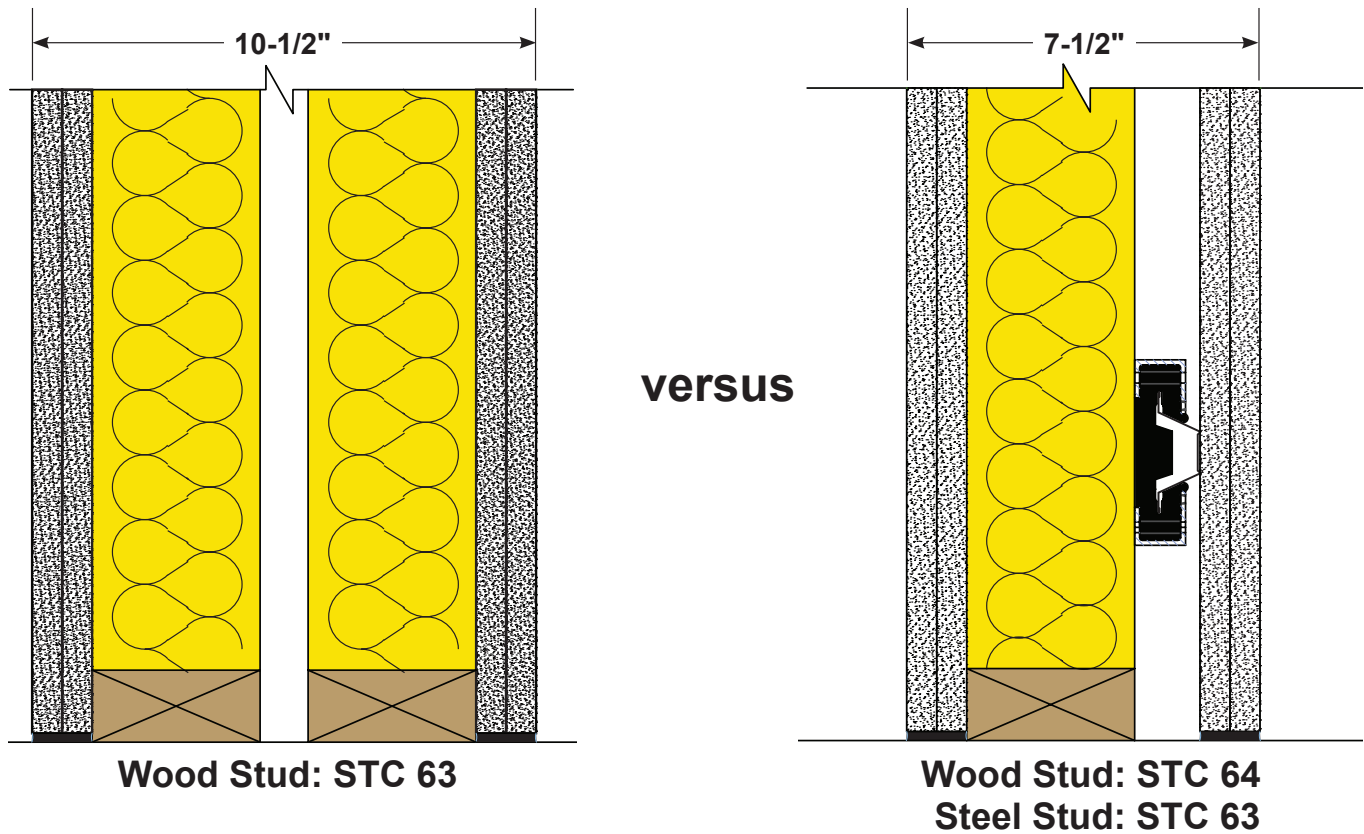
Design No. L546
Design No. V477
Design No. V489

Walls

Design No. U305
Design No. U419

Stop wasting space with double wall construction!

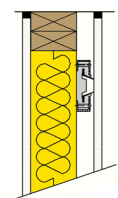
Increase your floor space with **KINETICS™ IsoMax™**.



Sound Tests for Airborne and Impact Noise - STC and IIC

Tested Composite Wall Constructions per ASTM E90 and ASTM E413 at Riverbank Labs.

Wood Stud partition, 2 x 4, 16" O.C. with 5/8" gypsum board, one layer each side. Fiberglass in cavity. IsoMax clips and 7/8" furring channel.



STC 57

+7 STC improvement compared to the same wall with resilient channel. Request our report, [IsoMax vs RC](#), for details

Additional IsoMax™ STC and IIC test results:

IIC 57 - Wood I-Joist floor/ceiling assembly with wood floor

STC 60 - 63 - Steel Stud wall assemblies

STC 66 - Gypsum board ceiling/concrete slab

IIC 58 - Gypsum board ceiling/concrete slab/wood floor on 1/8" mat

Visit www.kineticsnoise.com/arch/tests/isomax.html for complete IsoMax STC/IIC Sound test data

NOTE: Some color variation on the rubber component of the IsoMax™ clip is normal. This is based on the amount of surface wax (white in color) present on the black rubber. Product performance is not affected.



kineticsnoise.com
sales@kineticsnoise.com
1-800-959-1229