



KINETICS® HardSide ACOUSTICAL CEILING BAFFLES

Highly efficient sound absorbers, these vertically suspended baffles reduce room reverberation and noise levels. Choose from a variety of fabric or vinyl facings.

Large spaces like gymnasiums, multi-purpose rooms, restaurants, and atriums are often too reverberant and noisy. HardSide baffles are extremely efficient sound absorbers providing an excellent solution in these areas. Baffles are easily suspended from overhead structures or stretched cable systems, providing sound absorption where there is insufficient wall space for panels or where additional acoustical absorption is required.

HardSide baffles are constructed with two (2) panels of 6-7 PCF fiber glass board with reinforced edges. All faces and edges are covered with a vinyl or fabric finish creating a crisp edge appearance. These lightweight baffles are available in square, round, bevel, mitre, or pencil edge shapes in custom sizes up to 4 ft. x 10 ft.

In either new construction or retrofit installations, the HardSide baffle is ideal for those spaces where superior sound absorption is required at the ceiling.

HardSide - Acoustical Ceiling Baffles

DESCRIPTION

Noise control baffle for controlling reverberant sound in large rooms

COMPOSITION

2" thick two piece 6-7 PCF fiber glass core
Zinc-plated steel eye screws along top edge
Guilford FR701 fabric, Perforated Vinyl or Factory pre-approved wall panel fabric

FIRE TEST DATA

Class A per ASTM E84

ACOUSTICAL PERFORMANCE

Frequency, Hz	125	250	500	1000	2000	4000	NRC
2" Thick	0.29	0.82	1.10	1.04	1.01	1.02	1.00
4" Thick	1.02	1.11	1.03	1.01	1.03	1.03	1.05

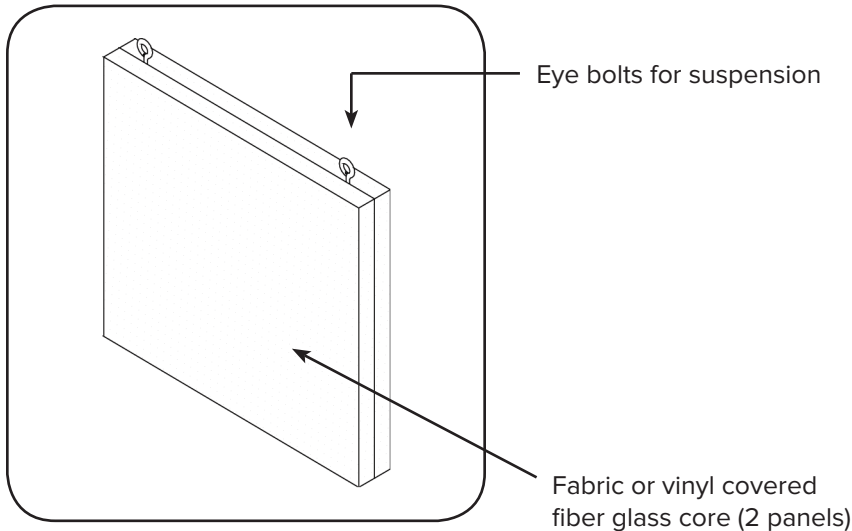
Test data is for HardSide panels flush-mounted on a wall (Type A mounting). The acoustical performance will improve when the panels are hung vertically as a baffle.

APPLICATIONS

- Rooms requiring sound absorption at the ceiling level where aesthetics is a priority.
- Lobbies
- Reception Areas
- Corridors
- Office Areas
- Gymnasiums
- Restaurants
- Multi-Purpose Rooms
- Churches
- School Technical Centers
- Learning Facilities
- Libraries

MOUNTING

Direct to ceilings, bar joists, purlins, or horizontally stretched cable. To be mounted following manufacturer's recommendations.



kineticsnoise.com
sales@kineticsnoise.com
1-800-959-1229