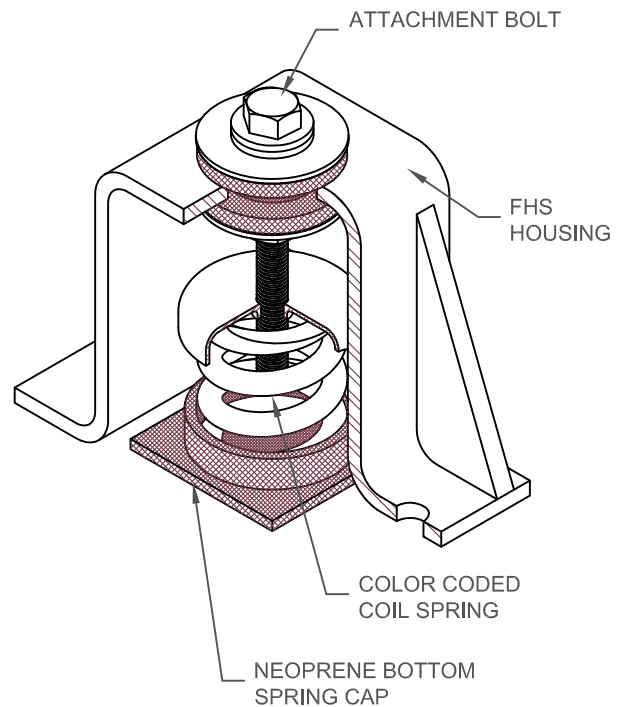


FHS INSTALLATION INSTRUCTIONS

- 1) COORDINATE THE LOCATION OF EACH ISOLATOR WITH THE APPROPRIATE SUBMITTAL DRAWING.
- 2) REMOVE THE ATTACHMENT BOLT AND ONE WASHER FROM THE TOP OF THE ISOLATOR. INSERT THEM INTO THE EQUIPMENT BRACKET.
- 3) ALIGN ISOLATORS AND CENTER THE ISOLATOR HOUSINGS BENEATH THE EQUIPMENT BOLTING HOLES. MARK THE ISOLATOR HOUSING ANCHOR BOLT LOCATIONS ON THE FLOOR.
- 4) RAISE THE EQUIPMENT AND INSTALL THE ANCHOR BOLTS INTO THE FLOOR.
- 5) LOCATE THE ISOLATORS AND LOWER THE EQUIPMENT ONTO THEM. NOTE THE HOUSING SHOULD SUPPORT THE EQUIPMENT WITH APPROXIMATELY THE DESIRED FLOOR CLEARANCE. (TAKE CARE NOT TO PUSH THE EQUIPMENT SIDWAYS).
- 6) INSTALL ANCHOR NUTS TO FIRMLY ATTACH THE FHS HOUSING TO THE FLOOR OR HOUSEKEEPING PAD.
- 7) LOOSELY BOLT EQUIPMENT TO THE ISOLATOR USING THE ATTACHMENT BOLTS. BEFORE ADJUSTING THE ISOLATORS, IT IS NECESSARY THAT THE EQUIPMENT BE BROUGHT UP TO ITS OPERATING WEIGHT. ADJUST THE ISOLATOR BY TURNING THE LEVELING NUT COUNTER CLOCKWISE ONE OR TWO TURNS AT EACH ISOLATOR,



IN SUCCESSION, UNTIL THE UPPER NEOPRENE ELEMENT BARELY LIFTS OFF OF THE TOP OF THE FHS HOUSING. WHEN THIS HAPPENS, NO LONGER ADJUST THIS ISOLATOR, BUT CONTINUE TO ADJUST THE REMAINING ISOLATORS UNTIL ALL ARE IN THIS CONDITION.

- 8) AT THIS POINT, TURN ALL THE LEVELING SCREWS THE APPROPRIATE AMOUNT TO LIFT THE EQUIPMENT 1/4". THE NUMBER OF TURNS IS A FUNCTION OF THE LEVELING BOLT SIZE. 1/2" = 3 TURNS, 5/8" = 2-3/4 TURNS, 3/4" = 2-1/2 TURNS, 7/8" = 2-1/4 TURNS, 1" = 2 TURNS.
- 9) TIGHTEN THE ATTACHMENT BOLTS, THUS BOLTING THE ISOLATORS TO THE SUPPORTED EQUIPMENT AND LOCKING THE LEVELING BOLT AGAINST TURNING.
- 10) DO NOT ATTEMPT TO MOVE THE ISOLATORS Laterally WITH THE WEIGHT OF THE EQUIPMENT ON THEM. IF IT IS NECESSARY TO MOVE THE EQUIPMENT ON THEM, REMOVE THE WEIGHT FROM THE ISOLATORS BY RAISING THE EQUIPMENT BEFORE MOVING.

