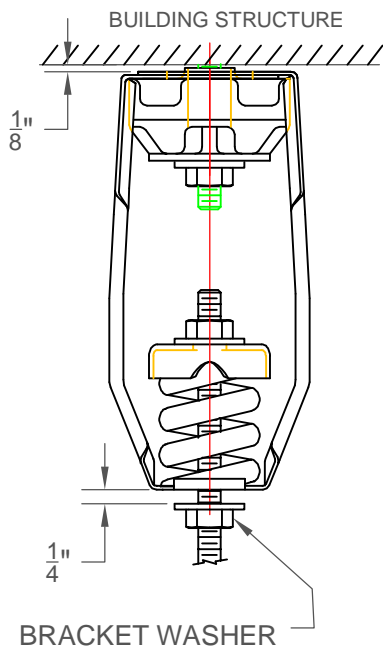
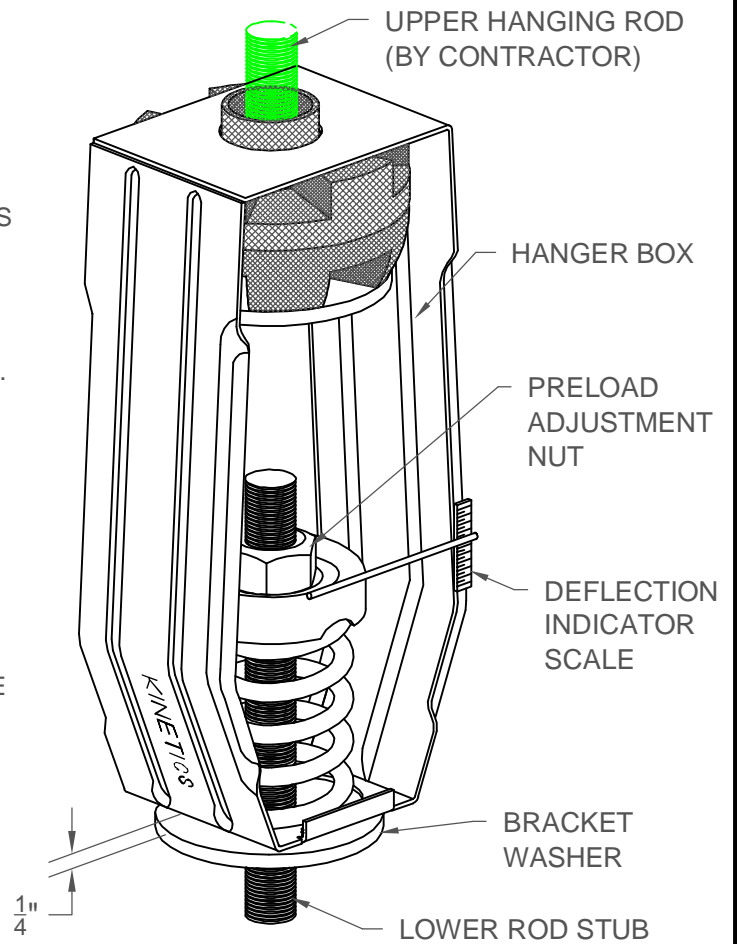


INSTALLATION INSTRUCTIONS FOR SRPH HANGER

- 1) LOCATE EACH HANGER INTO POSITION BASED ON SUBMITTAL DRAWING, USING COLOR CODED SPRINGS AS IDENTIFICATION.
- 2) ATTACH HANGER BOX TO UPPER HANGING ROD AS SHOWN IN SKETCH.
- 3) ATTACH EQUIPMENT TO LOWER STUB ROD DIRECTLY OR VIA AN EXTENSION ROD ATTACHED TO THE LOWER STUB ROD WITH A COUPLING NUT.
- 4) ONCE ALL HANGERS HAVE BEEN INSTALLED AND THE SYSTEM HAS BEEN CHARGED, TURN THE PRELOAD ADJUSTMENT NUT COUNTER-CLOCKWISE UNTIL THE BRACKET WASHET DROPS OFF THE BOTTOM OF THE HANGER BOX $\frac{1}{4}$ ".
- 5) WHEN HANGERS ARE CLOSELY SPACED (LESS THAN 6'-8') IT MIGHT BE NECESSARY TO TURN THE PRELOAD ADJUSTMENT NUT SEVERAL TURNS ON EACH HANGER SEQUENTIALLY. FAILURE TO DO THIS MIGHT OVERLOAD INDIVIDUAL HANGERS.



FOR SEISMIC APPLICATIONS

- A) HANGER BOX MUST BE ATTACHED WITH APPROX. $\frac{1}{8}$ " CLEARANCE BETWEEN HANGER BOX AND BUILDING STRUCTURE.