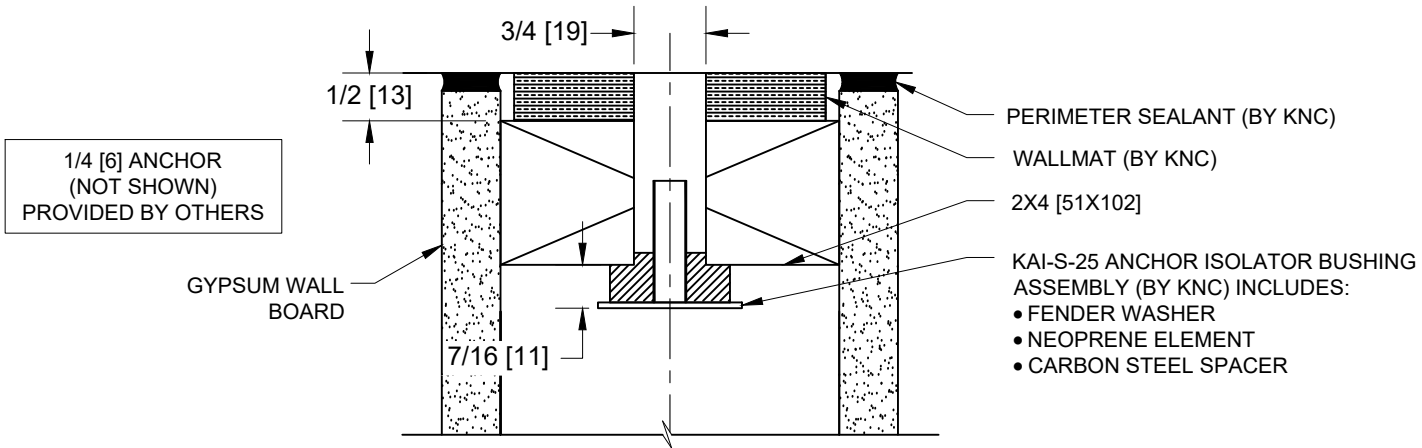


TOP OF WALL

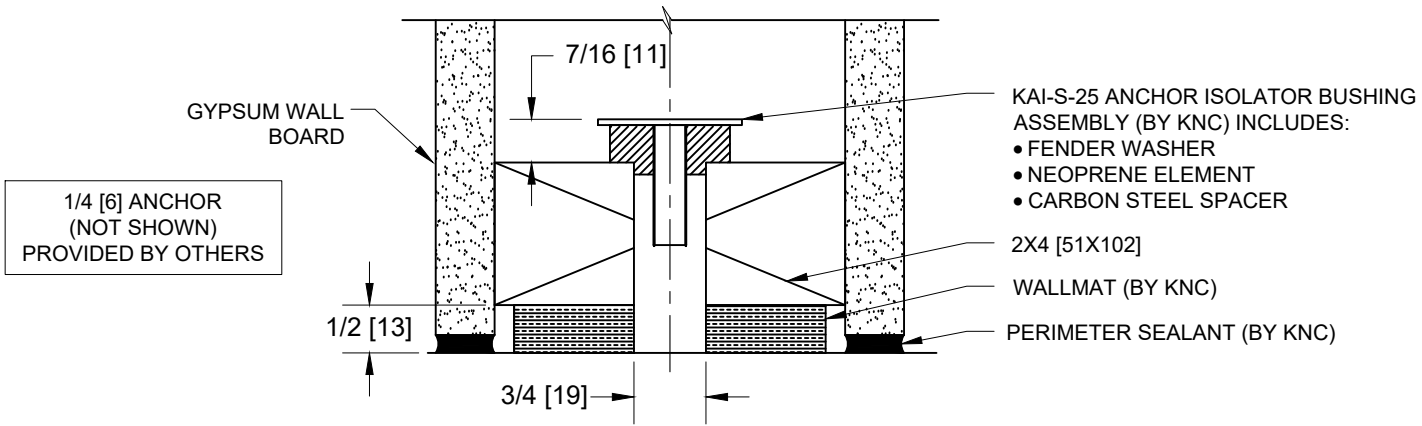


1/4 [6] ANCHOR
(NOT SHOWN)
PROVIDED BY OTHERS

GYPSUM WALL
BOARD

PERIMETER SEALANT (BY KNC)
WALLMAT (BY KNC)
2X4 [51X102]
KAI-S-25 ANCHOR ISOLATOR BUSHING
ASSEMBLY (BY KNC) INCLUDES:
• FENDER WASHER
• NEOPRENE ELEMENT
• CARBON STEEL SPACER

BASE OF WALL



1/4 [6] ANCHOR
(NOT SHOWN)
PROVIDED BY OTHERS

GYPSUM WALL
BOARD

KAI-S-25 ANCHOR ISOLATOR BUSHING
ASSEMBLY (BY KNC) INCLUDES:
• FENDER WASHER
• NEOPRENE ELEMENT
• CARBON STEEL SPACER
2X4 [51X102]
WALLMAT (BY KNC)
PERIMETER SEALANT (BY KNC)

- KAI-W NOTES**
- TYPICALLY LOCATED 16 [406] OR 24 [610] ON CENTER
 - ACCEPTS 1/4 [6] ANCHORS (BY OTHERS)
 - REQUIRES MINIMUM 3/8 [10] DIA. HOLE THROUGH MODEL WALLMAT
 - REQUIRES DRILLING 3/4 [19] DIA. COUNTERSINK INTO WOOD PLATE TO SEAT NEOPRENE ELEMENT

DIMENSION FORMAT: IN [MM]

SCALE: 6" = 1'-0"



WALLMAT:
WOOD-FRAMED INSTALLATION

Revised
5/15/2020

Drawing No.
AA001812

kineticsnoise.com/wallmat