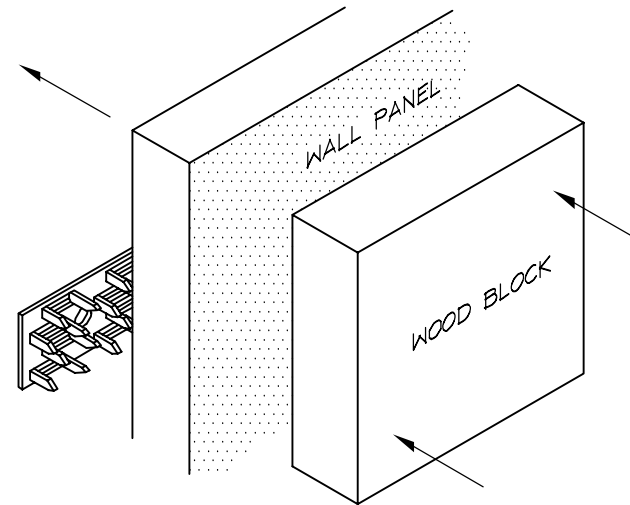
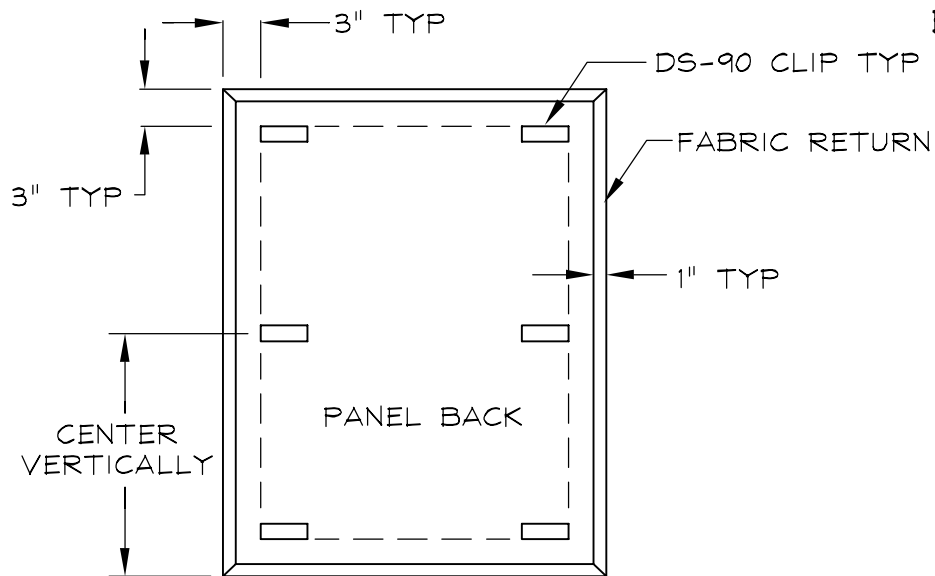


A



C



B

- DETERMINE WHERE PANELS ARE TO BE INSTALLED
- SCREW DS-90 CLIPS ON WALL PER DETAIL B AND CLIP CHART SHOWN BELOW
- CLEAN WALL SURFACE AND APPLY CONSTRUCTION ADHESIVE TO PANEL BACK AS SHOWN IN DETAIL A. **(ADHESIVE TO BE APPLIED TO FABRIC RETURN ONLY)**
- IMPALE DESIGN SERIES 90 PANELS ONTO CLIPS. A Mallet and wooden block may be used to carefully force panel down onto clips per detail C.

PANEL LENGTH	# OF CLIPS
UP TO 24"	4
24" TO 48"	4
48" TO 72"	4 - 6
72" TO 96"	6 - 8

CLIP PLACEMENT IS APPROXIMATE

NOTE: SEE CHART FOR TYP NUMBER OF CLIPS PER PANEL