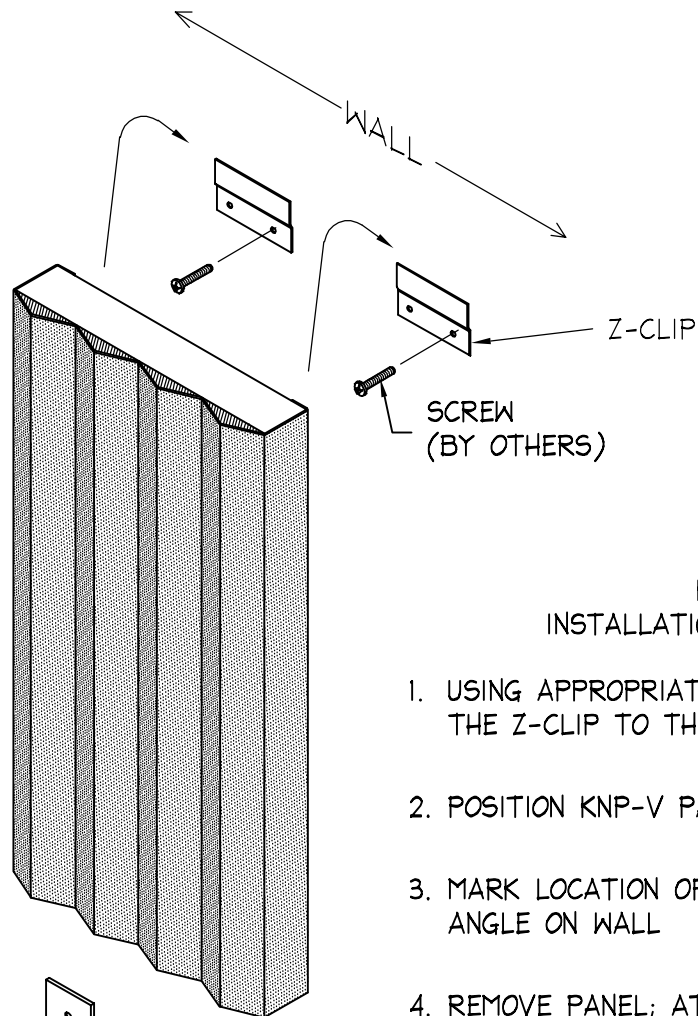


LOCATE Z CLIPS ON WALL AND SECURE WITH SCREWS APPROPRIATE FOR WALL SUBSTRATE.



KNP-V INSTALLATION INSTRUCTIONS

1. USING APPROPRIATE FASTENERS, ATTACH THE Z-CLIP TO THE WALL
2. POSITION KNP-V PANEL ONTO Z-CLIP
3. MARK LOCATION OF L-BOTTOM SUPPORT ANGLE ON WALL
4. REMOVE PANEL; ATTACH SUPPORT ANGLES TO WALL
5. RE-INSTALL PANEL; ATTACH SUPPORT ANGLE TO PANEL

