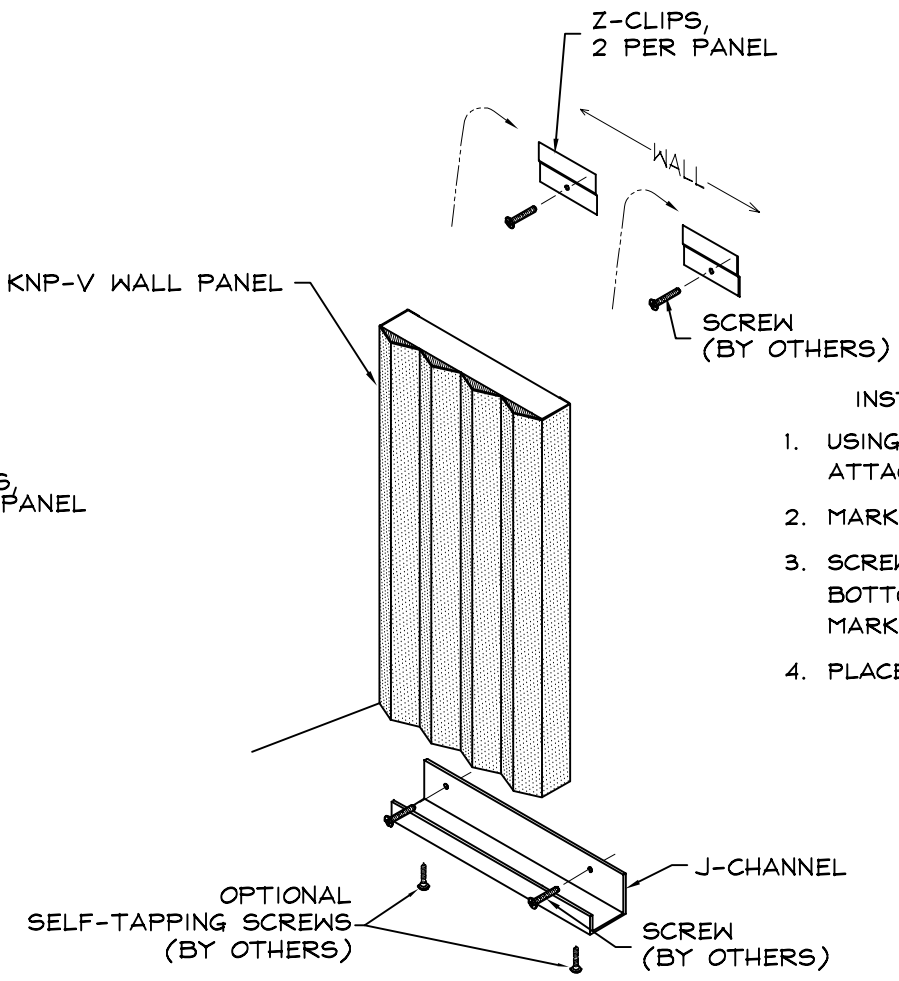


LOCATE Z CLIPS ON WALL AND SECURE WITH SCREWS APPROPRIATE FOR WALL SUBSTRATE.



- KNP-V
INSTALLATION INSTRUCTIONS
1. USING APPROPRIATE SCREWS, ATTACH THE Z-CLIP TO THE WALL
 2. MARK BOTTOM OF PANEL ON WALL
 3. SCREW J-CHANNEL TO WALL WITH BOTTOM OF CHANNEL 1/8" BELOW MARK ON WALL
 4. PLACE PANEL INTO J-CHANNEL