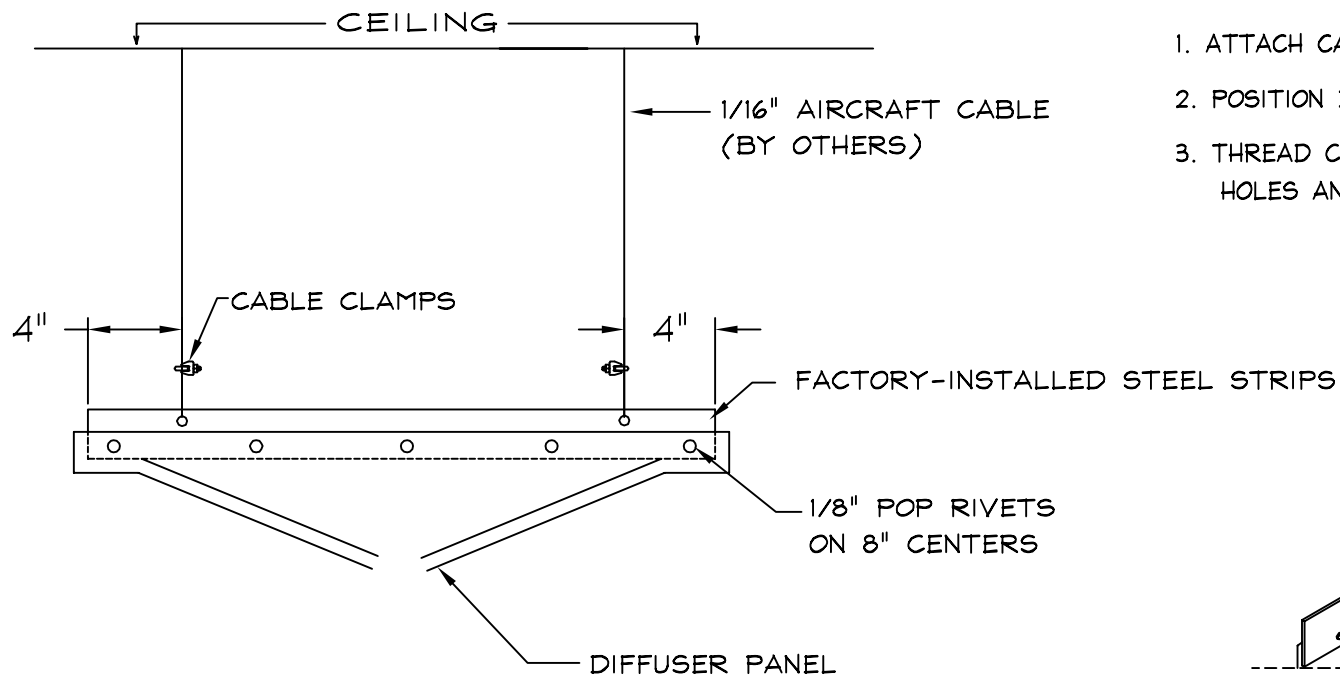
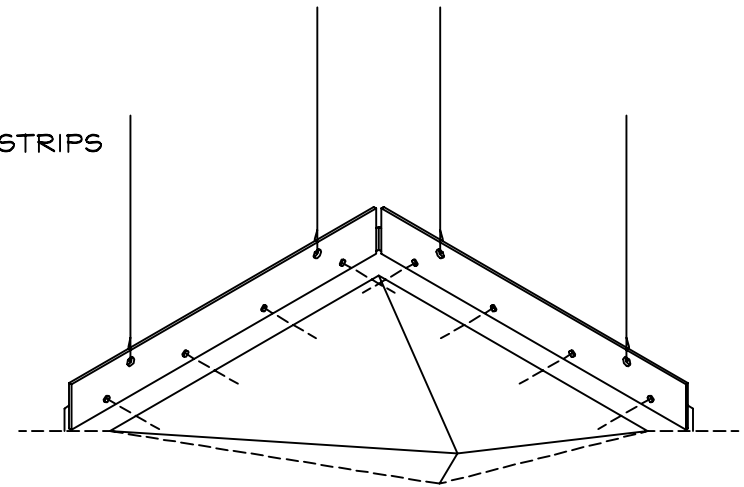


1 1/2" STEEL ANGLE FACTORY INSTALLED ALONG INSIDE OF DIFFUSER (4) TOTAL PER DIFFUSER.



1. ATTACH CABLE OR WIRE TO CEILING STRUCTURE
2. POSITION DIFFUSER IN DESIRED LOCATION
3. THREAD CABLE OR WIRE THROUGH SUSPENSION HOLES AND FASTEN TO ITSELF



CEILING SUSPENSION DETAIL FOR GEOMETRIC DIFFUSER