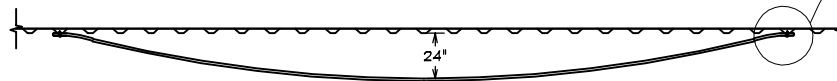
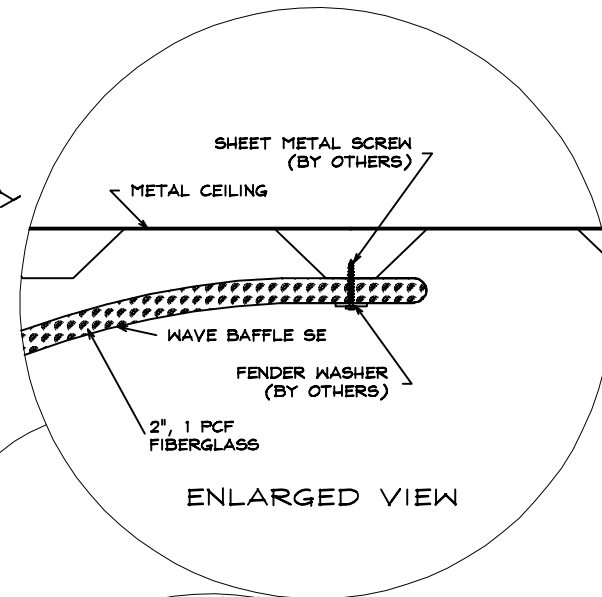


BAFFLE LENGTH (FT.)	MINIMUM DROP (IN.)
10	3
15	6
20	12
25	18
30	24



-LOCATE WAVE BAFFLE ACCORDING TO ARCHITECT'S PLANS. ATTACH BAFFLE TO METAL CEILING UTILIZING #10 SELF-TAPPING SHEET METAL SCREWS AND FENDER WASHERS (SUPPLIED BY OTHERS) THROUGH GROMMETS PROVIDED IN BAFFLE.

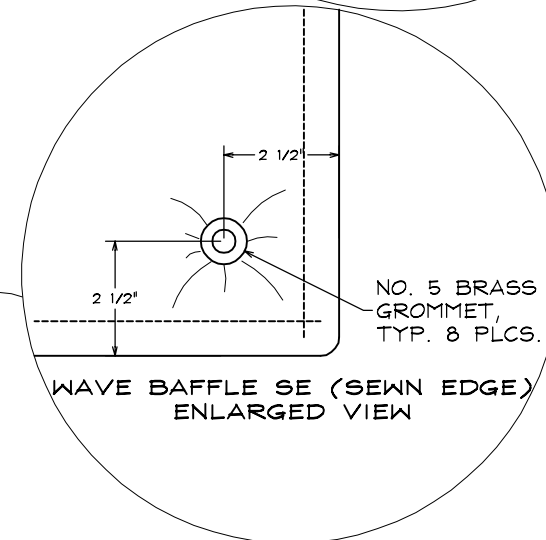
-ON A 30' LONG WAVE BAFFLE, ALLOW A MINIMUM OF 24" DROP AT CENTER OF BAFFLE. CONTACT FACTORY FOR OTHER MOUNTING RECOMMENDATIONS.



EXAMPLE OF 30' BAFFLE INSTALLATION



WAVE BAFFLE SE, TOP VIEW



WAVE BAFFLE SE (SEWN EDGE) ENLARGED VIEW