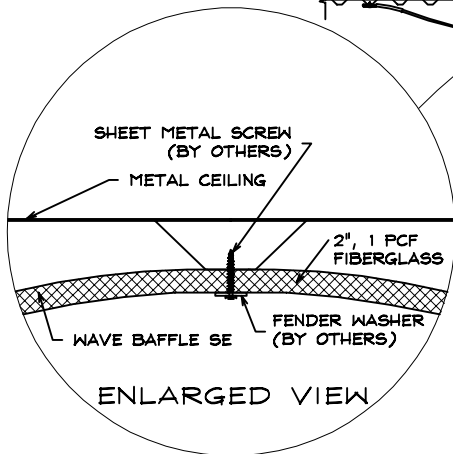
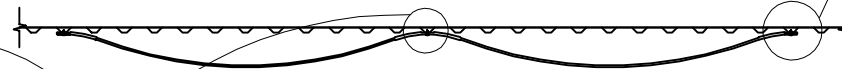
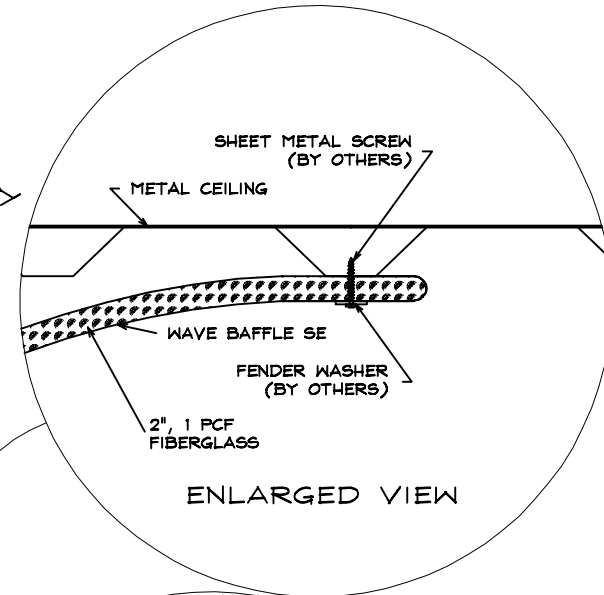


BAFFLE LENGTH (FT.)	MINIMUM DROP (IN.)
10	3
15	6
20	12
25	18
30	24



-LOCATE WAVE BAFFLE ACCORDING TO ARCHITECT'S PLANS. ATTACH BAFFLE TO METAL CEILING UTILIZING #10 SELF-TAPPING SHEET METAL SCREWS AND FENDER WASHERS (SUPPLIED BY OTHERS) THROUGH GROMMETS PROVIDED IN BAFFLE.



EXAMPLE OF 30' BAFFLE INSTALLATION

