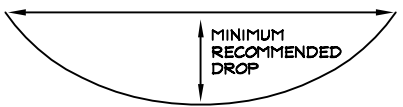
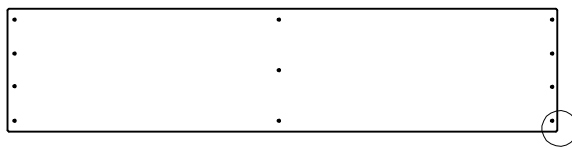
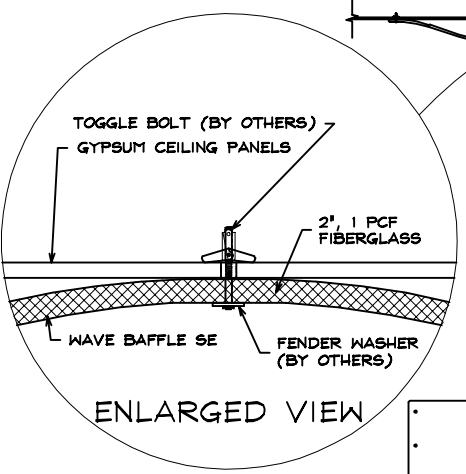
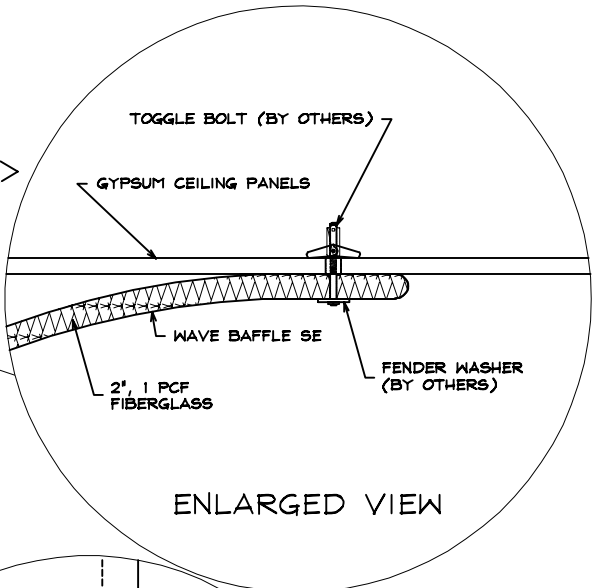


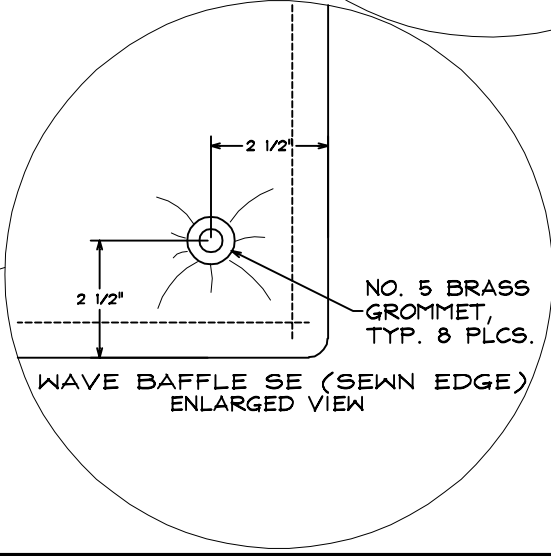
BAFFLE LENGTH (FT.)	MINIMUM DROP (IN.)
10	3
15	6
20	12
25	18
30	24



LOCATE WAVE BAFFLE ACCORDING TO ARCHITECT'S PLANS. ATTACH BAFFLE TO GYPSUM CEILING UTILIZING 3/16" DIA. x 4" LONG TOGGLE BOLTS AND FENDER WASHERS (SUPPLIED BY OTHERS) THROUGH GROMMETS PROVIDED IN BAFFLE.



WAVE BAFFLE SE, TOP VIEW



WAVE BAFFLE SE (SEWN EDGE) ENLARGED VIEW