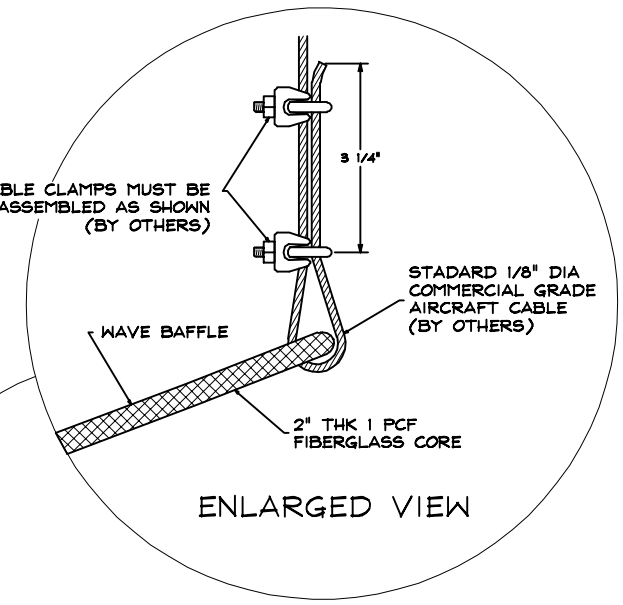


BAFFLE LENGTH (FT.)	MINIMUM DROP (IN.)
10	3
15	6
20	12
25	18
30	24



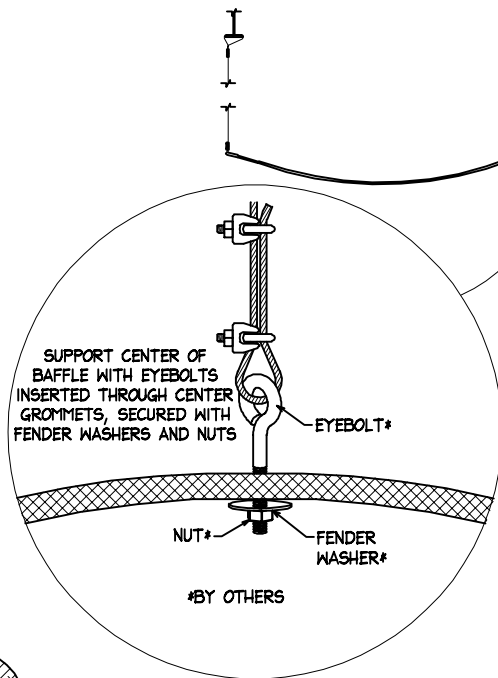
LOCATE WAVE BAFFLE ACCORDING TO ARCHITECT'S PLANS. ATTACH SUSPENSION CABLE TO BAFFLE THROUGH GROMMETS PROVIDED IN BAFFLE AND SECURE WITH CABLE CLAMPS. THREAD OTHER END OF CABLE THROUGH MOUNTING HOLE (SCREW EYE, BEAM, ETC.) AND ADJUST TO PROPER HEIGHT. SECURE WITH CABLE CLAMPS AND TRIM EXCESS CABLE.

CABLE CLAMPS MUST BE ASSEMBLED AS SHOWN (BY OTHERS)

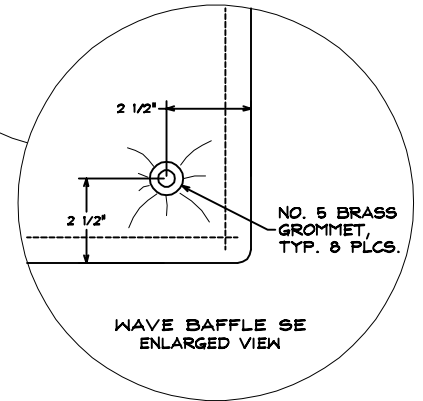


ENLARGED VIEW

ATTACHMENT POINT



WAVE BAFFLE SE, TOP VIEW



WAVE BAFFLE SE ENLARGED VIEW

