

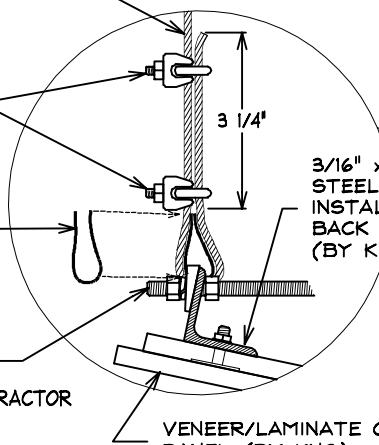
STANDARD 1/8" DIA. COMMERCIAL GRADE AIRCRAFT CABLE EACH SIDE QUANTITY BY KNC WILL PROVIDE A MINIMUM 5 TO 1 SAFETY FACTOR IN TERMS OF CABLE STRENGTH. (CABLE BY OTHERS)

CABLE CLAMPS MUST BE ASSEMBLED AS SHOWN (SUPPLIED BY OTHERS)

CABLE THIMBLE (BY OTHERS)

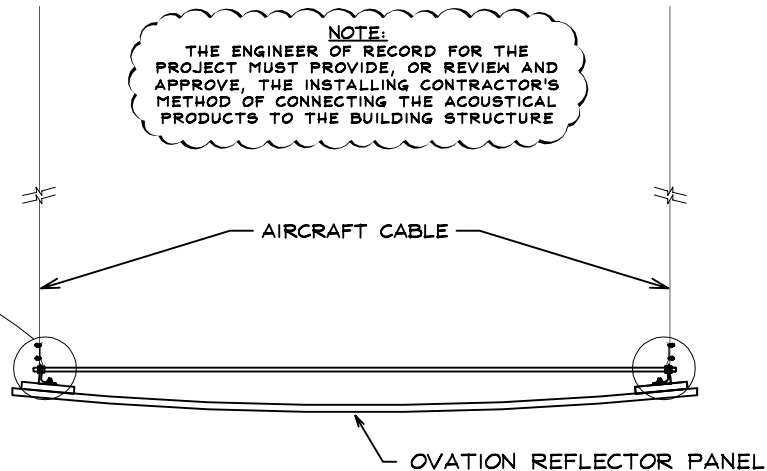
3/8"-16 BOWING ROD NUTS & WASHERS SUPPLIED BY KNC & INSTALLED BY CONTRACTOR

VENEER/LAMINATE OVATION PANEL (BY KNC)



3/16" x 2" x 2" STEEL ANGLE INSTALLED ON BACK OF PANEL (BY KNC)

**NOTE:**  
THE ENGINEER OF RECORD FOR THE PROJECT MUST PROVIDE, OR REVIEW AND APPROVE, THE INSTALLING CONTRACTOR'S METHOD OF CONNECTING THE ACOUSTICAL PRODUCTS TO THE BUILDING STRUCTURE



**\*\*IMPORTANT\*\***

KINETICS NOISE CONTROL DOES NOT RECOMMEND THE USE OF COATED AIRCRAFT CABLE. IF COATED CABLE IS USED, THE COATING MUST BE STRIPPED AT POINTS OF CLAMPING.

SUGGESTED INSTALLATION INSTRUCTIONS FOR OVATION REFLECTOR PANELS

1. ATTACH 1/8" AIRCRAFT CABLE TO CEILING STRUCTURE AT APPROXIMATE LOCATIONS OF SUSPENSION POINTS ON PANELS
2. FASTEN CABLE TO ITSELF USING CABLE CLAMPS AND THIMBLES (BY OTHERS)
3. ALLOW CABLE DROPS OF SUFFICIENT LENGTH TO ATTACH TO REFLECTOR PANELS THROUGH SUSPENSION HOLES
4. HOIST REFLECTOR PANEL INTO POSITION THROUGH CABLE THROUGH EYEBOLTS AND FASTEN TO ITSELF USING CABLE CLAMPS AND THIMBLES (BY OTHERS)
5. PANEL WEIGHT APPROXIMATELY 3 LBS/SQ FT