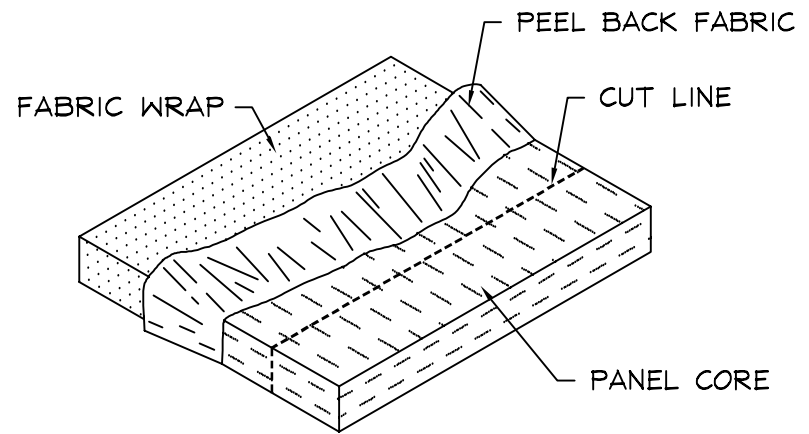
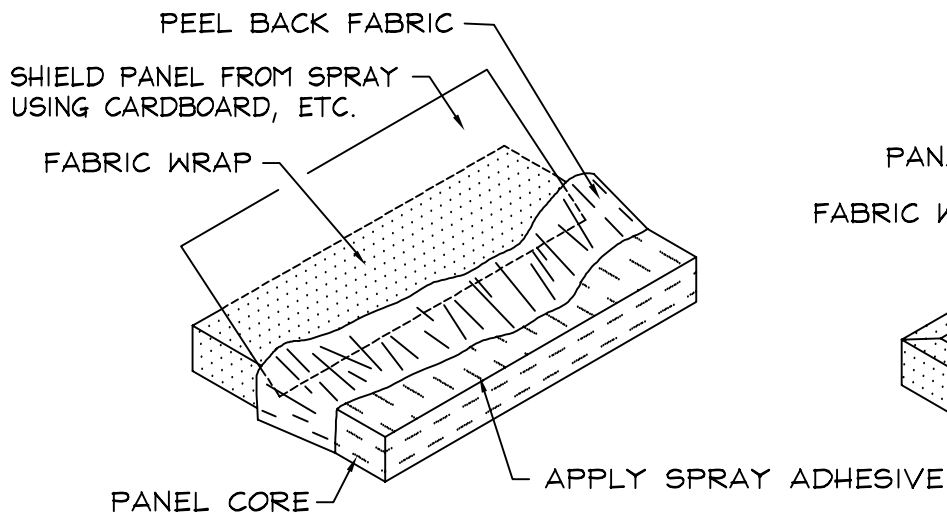


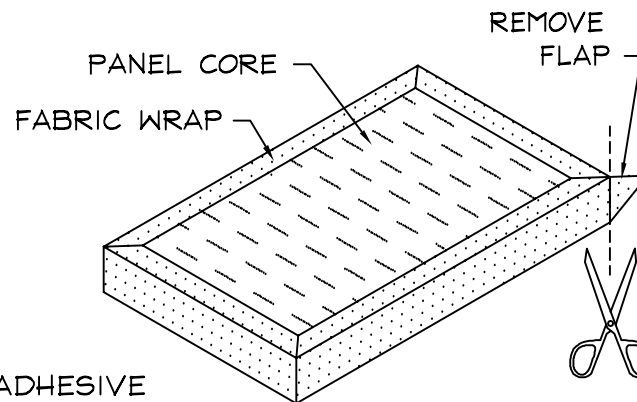
① PANEL FACE DOWN



② PANEL FACE UP



③ PANEL FACE UP



④ PANEL FACE DOWN

INSTRUCTIONS:

1. PEEL FABRIC BACK PAST DESIRED CUT LINE (USE HEAT GUN TO AID IN THE RELEASE OF FABRIC ADHESIVE)
2. CUT PANEL, FACE UP, WITH A STRAIGHT EDGE AND RAZOR KNIFE (CARE SHOULD BE TAKEN NOT TO CUT FABRIC)
3. APPLY ADHESIVE TO EXPOSED PANEL CORE AND REWRAP FABRIC (ALL FIELD ALTERATIONS REQUIRE 1" FABRIC RETURN ON BACK OF PANEL)
4. PINCH EXCESS FABRIC TOGETHER WITH FINGERS AND CUT OFF FLAP WITH A PAIR OF SCISSORS