

Ensemble: Pre-Assembled Acoustical Wood Panels Installation Guidelines

1. Screw in supplied z-clips to the back of the Ensemble board. (*Figures 1 and 2*)
 - a. Use 1-1/4" long course thread screws to attached clips
 - b. Clips should be placed as shown so that they may be secured to the internal framing
 - c. Install recommended number of clips per the following:
 - Sizes up to 4x4 - 4-clips
 - Sizes up to 4x8 - 6-clips
 - Sizes up to 4x10 - 9 clips

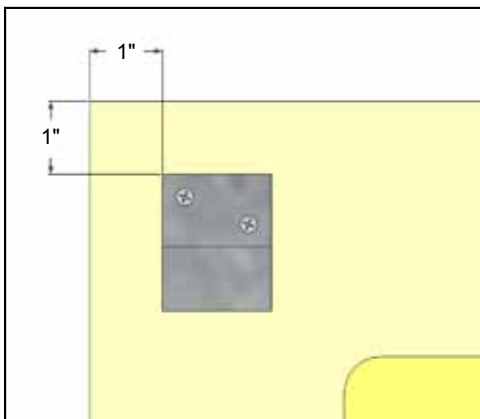


Figure 1

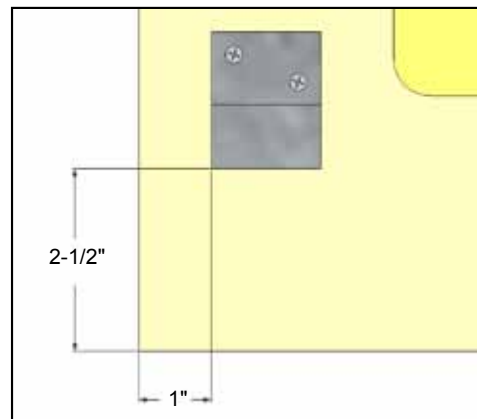


Figure 2

2. Install the z-clips to the wall as shown. Type and strength of wall attachment selected by the installer. (*Figures 3 and 4*)

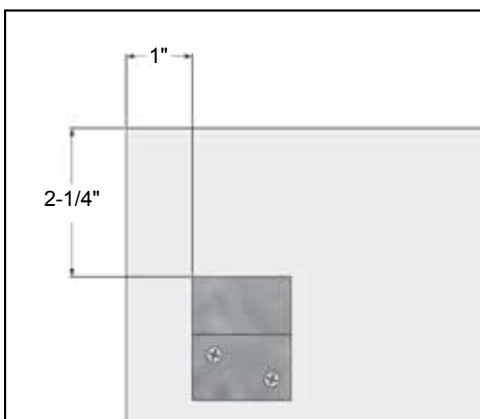


Figure 3

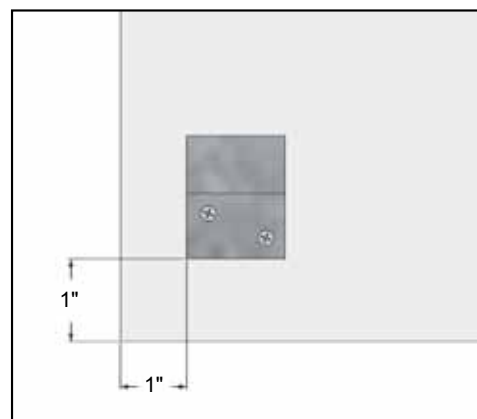


Figure 4

3. Hang the Ensemble (*Figure 5 and 6*)

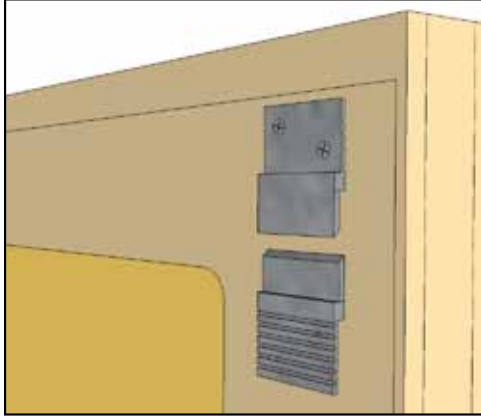


Figure 5

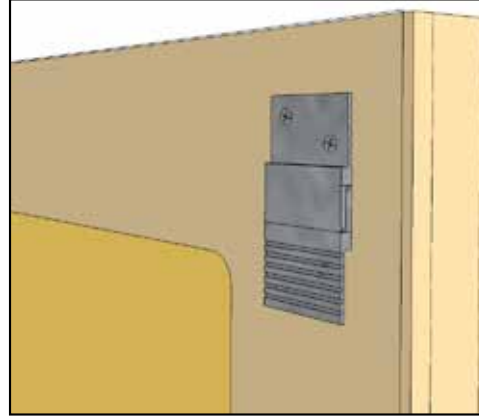


Figure 6

4. Trim as desired (*Figure 7*)



Figure 7

Storage

ENSEMBLE BOARDS SHALL BE STORED, INSTALLED AND MAINTAINED IN AN ENVIRONMENT WHERE THE HUMIDITY RANGES FROM 35% TO 55% AND THE TEMPERATURE DOES NOT EXCEED 80°F.

Pre-Installation Procedures

ENSEMBLE BOARDS MUST BE ALLOWED TO STABILIZE ON SITE FOR 72 HOURS PRIOR TO INSTALLATION.

Installation Tips

Ensemble should be installed by qualified finish carpenters

Warranty

Ensemble has the same warranty period as other Kinetics products. Close attention must be paid to acclimatization, and to finished room conditions. Wood products are highly susceptible to changes in humidity and temperature. Where a schedule dictates that the product is installed prior to the establishment of temperature and humidity controls at the site, the warranty will be void. If fire rated Ensemble is specified please note that some species of wood veneer may have reactions to FR (Fire Rated) MDF. Reactions may include slight discoloration to veneer. Kinetics Noise Control is investigating solutions, but until trials are complete, we will not be responsible for claims associated with discoloration.