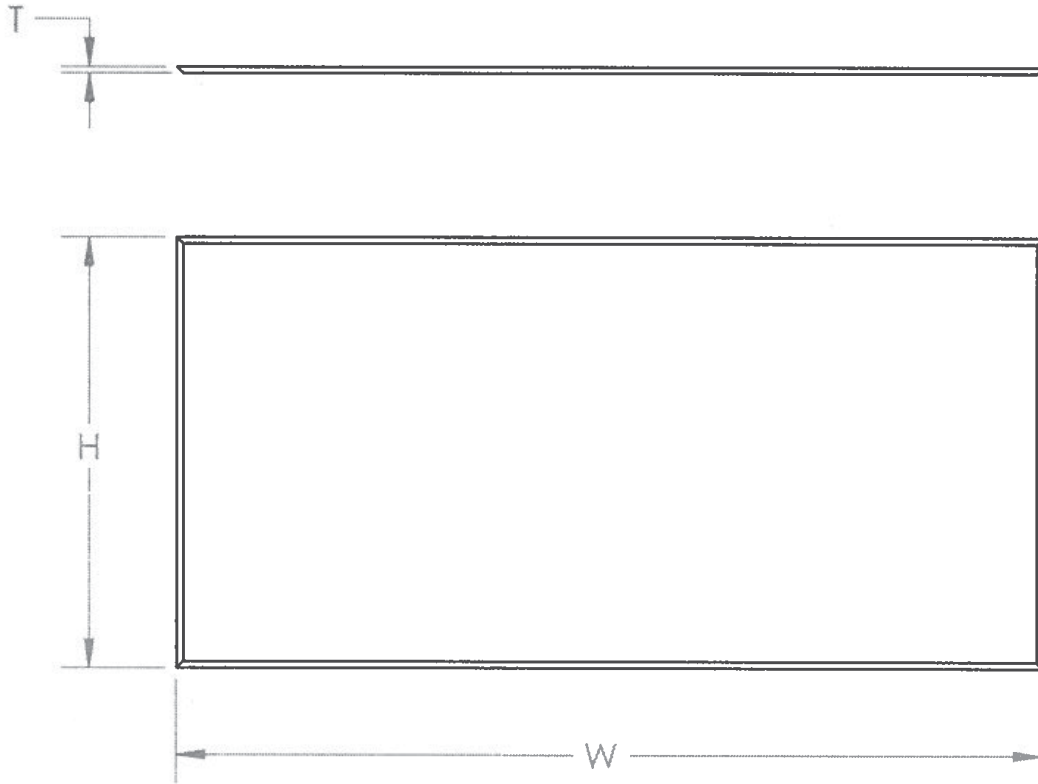


kBlock Installation Overview



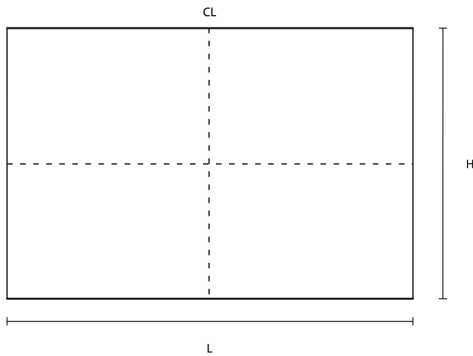
Size (inches)		
H	W	T
23.5	48	0.354
Or custom size per project requirements		

These installation suggestions consist of a common process for wall panel installation. Installers should rely upon their own professional experience and understanding of their unique requirements to ensure a successful install.

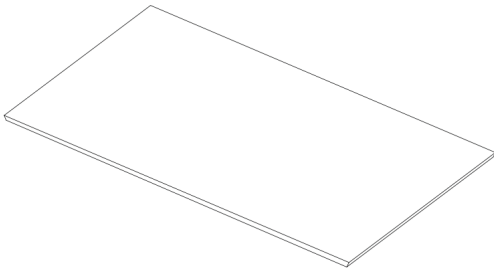
kBlock panels look best when installed with no gaps between ends or rows.

kBlock Installation Overview

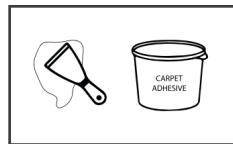
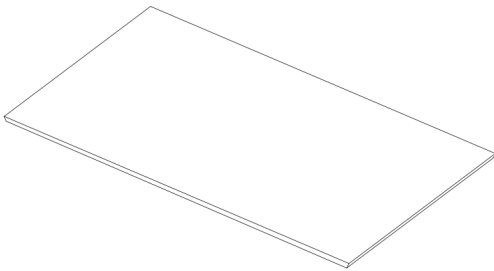
1. Measure the length and height of the wall. Find center of the wall.



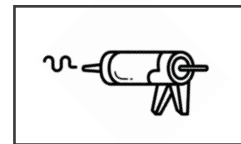
2. Lay down the kBlock panels on the ground and flip the chamfered edge down.



3. Use the putty knife to place the carpet adhesive to one kBlock at a time. Working on one kBlock at a time, apply a liberal amount of adhesive to the back of the panel utilizing the adhesive manufacturers best practices.

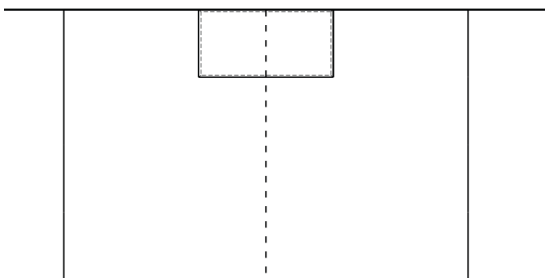


OR



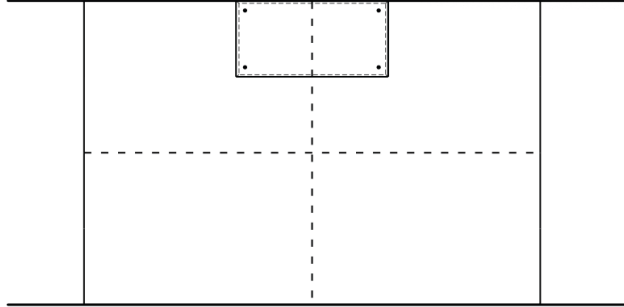
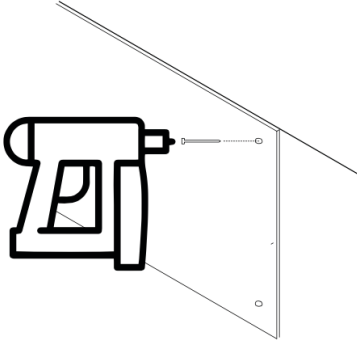
*Robert 3096 Carpet Adhesive or Liquid Nails (heavy duty)

4. Position the kBlock on the wall.



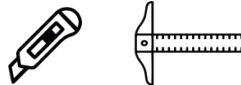
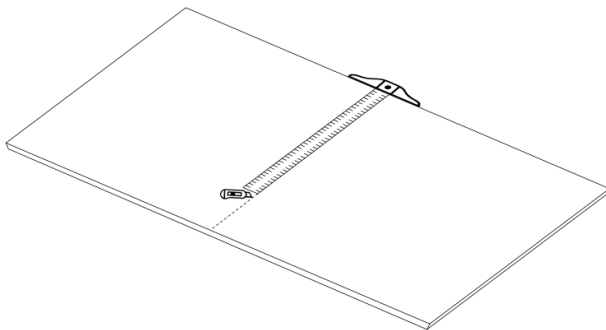
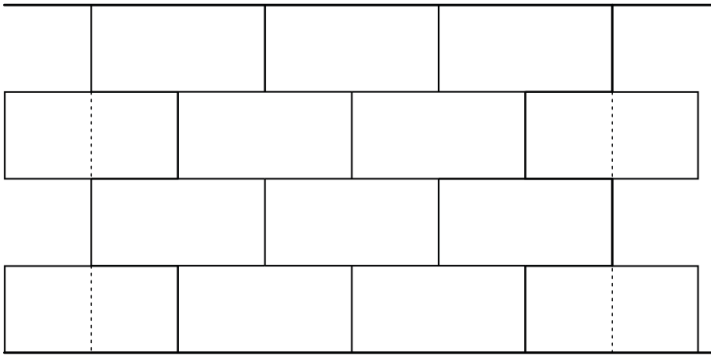
kBlock Installation Overview

5. Use nail gun to put finishing nails on the four corners to hold the kBlock until the adhesive is dry.



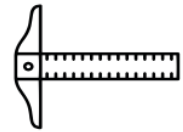
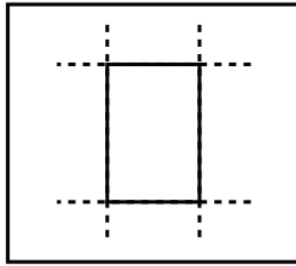
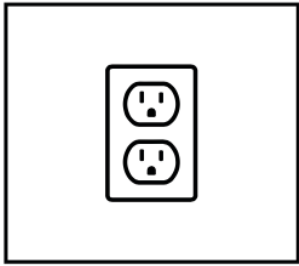
6. Use a box cutter and metal ruler to make cuts to fit the wall.

Tip for clean edges: Use smooth continued motion to cut through half the thickness of the material; using the edge of the ruler as your guide. Go over the same line again to complete the cut.

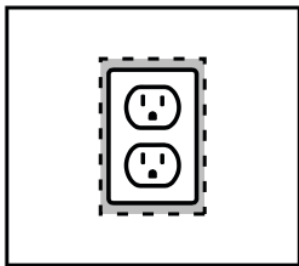


kBlock Installation Overview

6A. Follow instructions in step #6 for cuts around outlets, etc.



Tip: Matching paint color can be used on the wall around outlets or anywhere where kBlock tiles are not fitting snugly to each other. This can happen when doing complex cuts or when your wall has imperfections or is not at a perfect 90 degree angle. This small trick will stop any white wall peeking through.

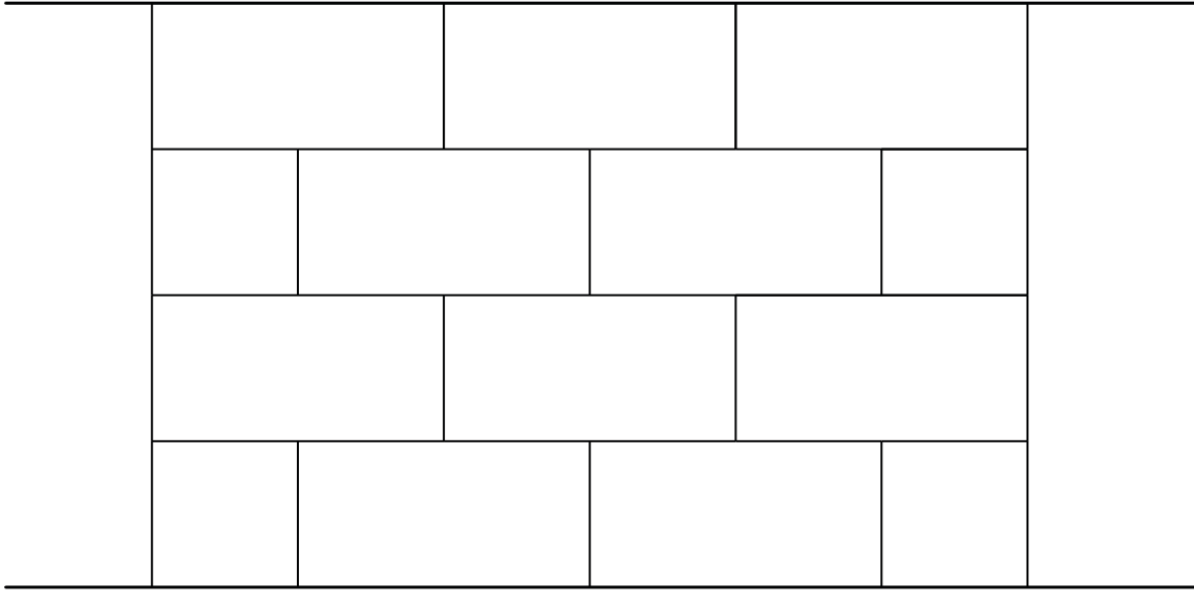


7. Once adhesive has dried, use pliers to remove the fine nails.



kBlock Installation Overview (with Furring Strips)

8. kBlock wall is complete.



kineticsnoise.com/kblock
sales@kineticsnoise.com
1-800-959-1229