



Ovation Reflectors

ACOUSTICAL REFLECTOR / DIFFUSER

OVATION ACOUSTICAL REFLECTOR/DIFFUSER PANELS CREATE SUPERIOR ACOUSTICS IN AUDITORIUMS, PERFORMANCE SPACES AND LECTURE HALLS.

Designed for large spaces requiring improved sound directivity, strength, and timing of reflections from the ceiling area, this product is perfect for auditoriums, lecture halls, and performing arts centers.

Standard panels are constructed of a 1/2" plywood core that is finished with a fiber reinforced gel coat. These curved panels are ceiling-suspended with attachment points on the steel framing. Select from a wide range of colors. Laminate or hardwood veneer finishes are available on 3/4" plywood core. Ovation panels allow the designer to custom size large curved reflector surfaces.

Typically 8' x 8' minimum sizes are recommended for broad band sound reflection. The sound reflector/diffuser is shipped as a flat panel and is bowed in the field to the architects' or acoustical consultants' specifications. The bowed surfaces produce more diffuse reflections and wider coverage.

Panel radius and dimensions are variable to meet both acoustical and design requirements. The angle of reflection is adjusted in the field using turnbuckle and cable suspension.

Ovation / Acoustical Reflector / Diffuser

DESCRIPTION

Acoustical reflector / diffuser

FIRE TEST DATA

- **Standard:** Gel Coat Finish, Class C rated per ASTM E84
- **Special Option:** Class A rated 4' x 10' maximum panel size with fire rated core and laminate face

COMPOSITION

- **Gel Coat Options:**
 - Gel coat with 1/2" plywood core in glossy (standard) or satin (optional) finish
 - Select from standard colors or color match
 - Up to 20' nominal length along the non-bowed side
 - Bowing side up to 9'-4" (satin) or 9'-10" (gloss)
- **Laminate and Veneer Options:**
 - Laminate facing or hardwood veneer with a 3/4" core board
 - Up to 20' nominal length along the non-bowed side
 - Bowing side up to 9'-11-1/2"
- Can be spliced to create continuous widths
- Approximate weight 3 psf
- Optional: Absorber or mass layer on back side or factory-approved customer-selected material

ACOUSTICAL PERFORMANCE

Frequency (Hz)	125	250	500	1K	2K	4K	NRC
J Mounting	0.14	0.00	0.03	0.03	0.04	0.13	0.05

Sound Absorption Coefficient per ASTM C423

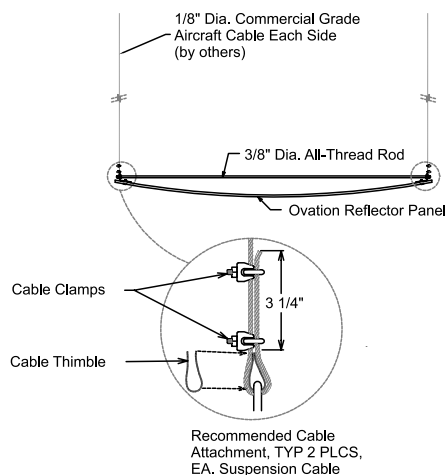
APPLICATIONS

- Large spaces that require improved directional strength and timing of sound reflections to greatly enhance listening quality.
- Auditoriums
- Lecture Halls
- Performing Arts Centers
- Worship Spaces
- Music Rehearsal Spaces

MOUNTING

To be mounted following manufacturer's recommendations

TYPICAL INSTALLATION



RETRACTABLE OPTION

